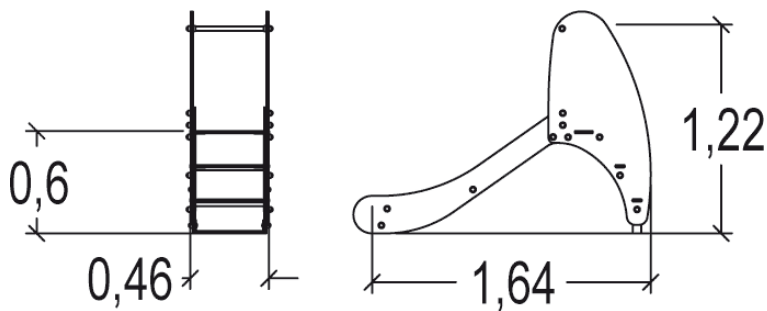
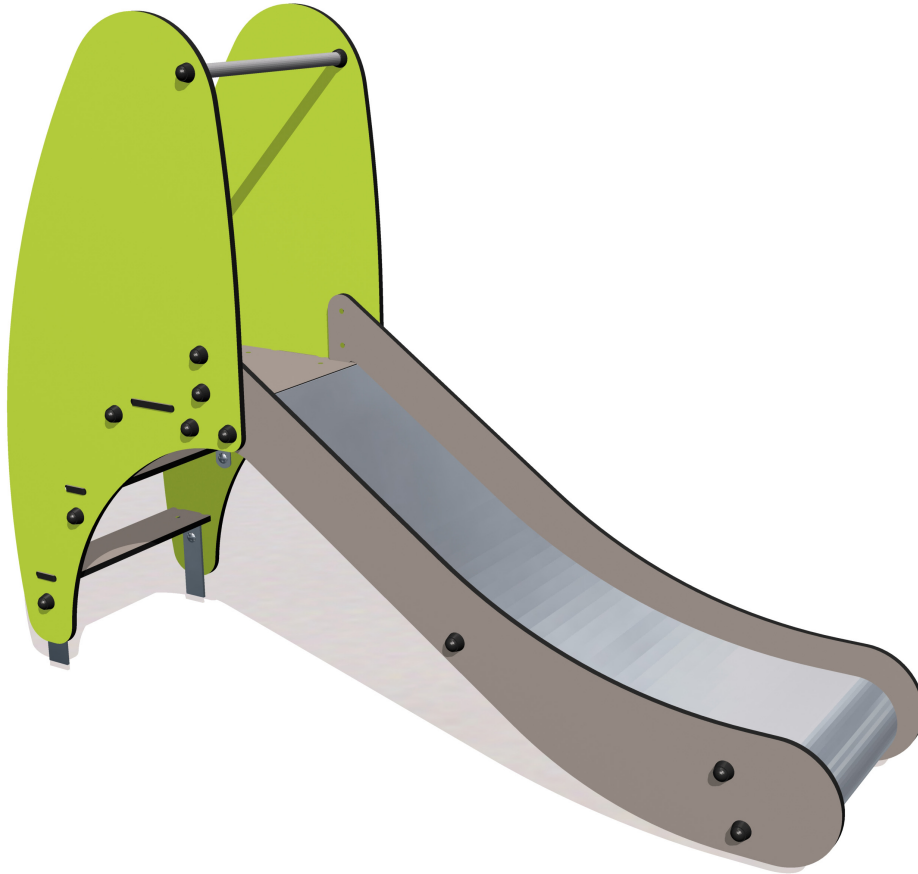


Physical inclusion  
Sensory inclusion  
Cognitive inclusion



Play value : **3**

sliding



x1

meeting



x1



climbing

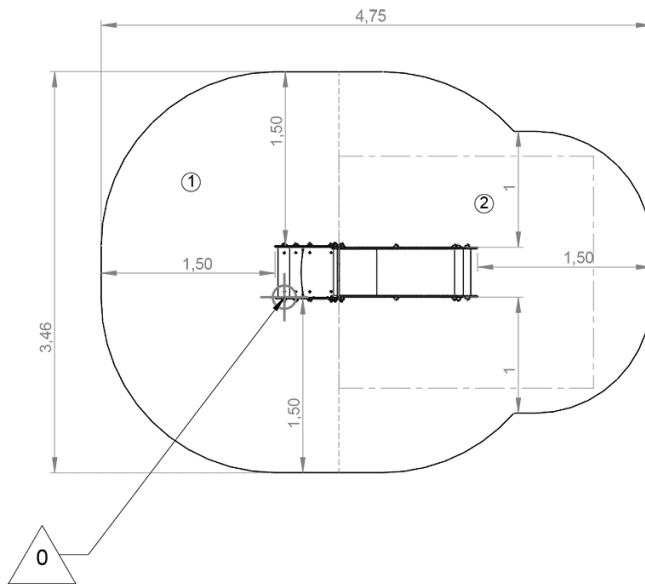


x1

## Installation of equipment

**IMPORTANT:** It is essential to refer to the installation instructions for information on the size of the safety areas.

-  Impact area (minimum normative surface)
-  Free space



1	0,6m	6,5m <sup>2</sup>
2	1m	7,5m <sup>2</sup>



2



02h00



0.1m<sup>3</sup>



14m<sup>2</sup>



49kg



10kg

