


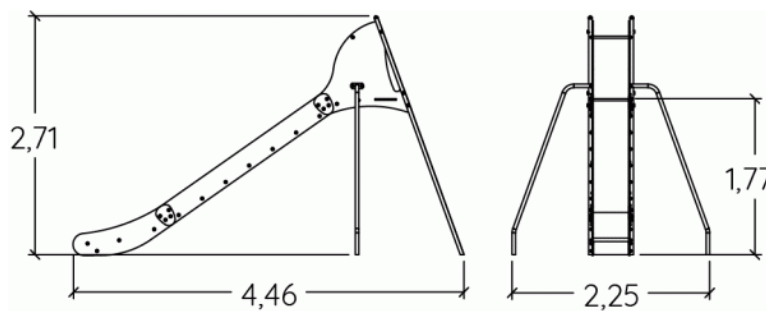
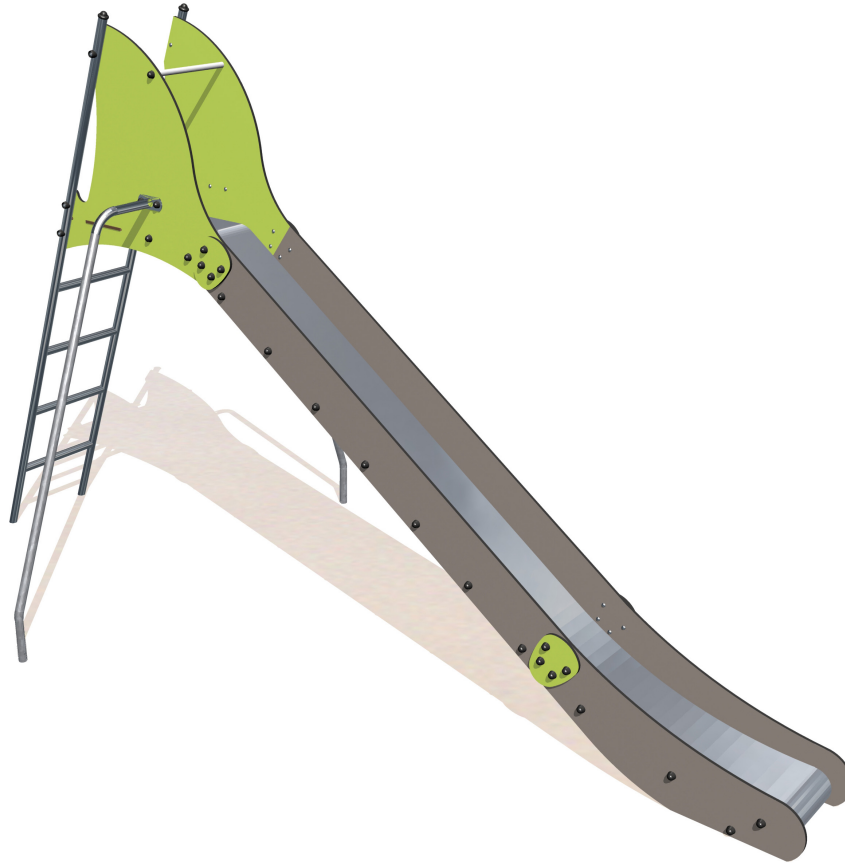
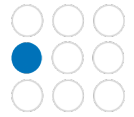
3+ **5** **1,77m**



 1 = 4,46m
 2 = 2,25m
 3 = 2,71m



Physical inclusion
 Sensory inclusion
 Cognitive inclusion



Play value : **3**

sliding



x1

meeting



x1

climbing

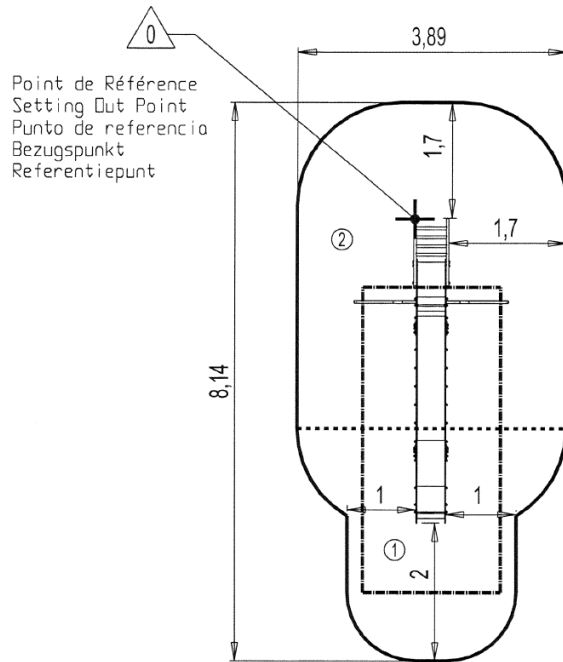


x1

Installation of equipment

IMPORTANT: It is essential to refer to the installation instructions for information on the size of the safety areas.

-  Impact area (minimum normative surface)
-  Free space



1	1,00m	9,5m ²
2	1,77m	17,5m ²



2



04h30



0.2m³



27m²



145kg



27kg

