



4+



5



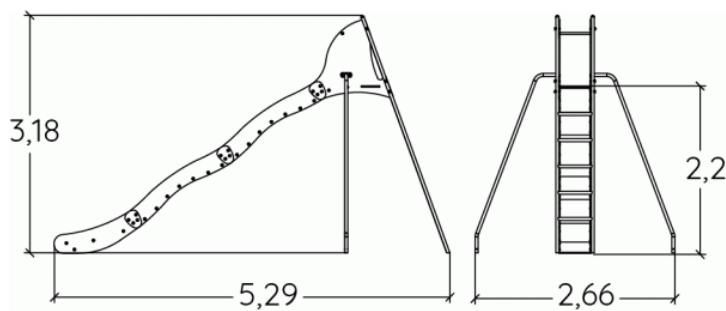
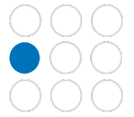
2,2m



1 = 5,29m
2 = 2,66m
3 = 3,18m



Physical inclusion
Sensory inclusion
Cognitive inclusion



Play value :

3

sliding



x1

meeting



x1



climbing

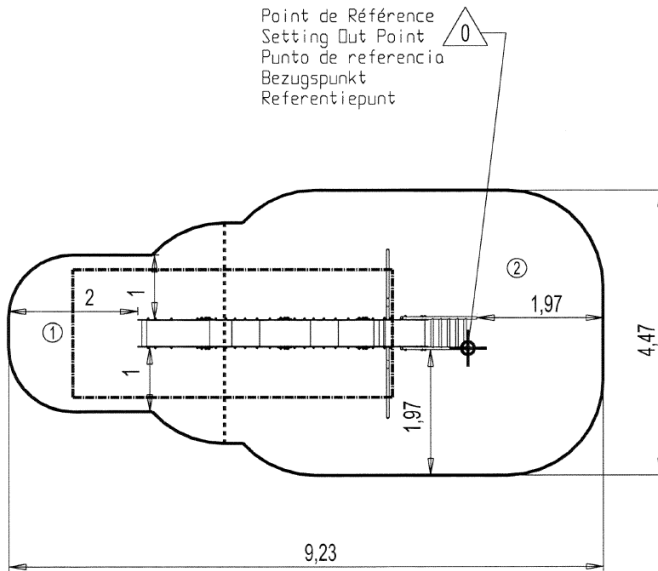


x1

Installation of equipment

IMPORTANT: It is essential to refer to the installation instructions for information on the size of the safety areas.

-  Impact area (minimum normative surface)
-  Free space



1	1,00m	8,5m ²
2	2,20m	24,5m ²



2



6h15



0.2m³



33m²



162kg



125kg

