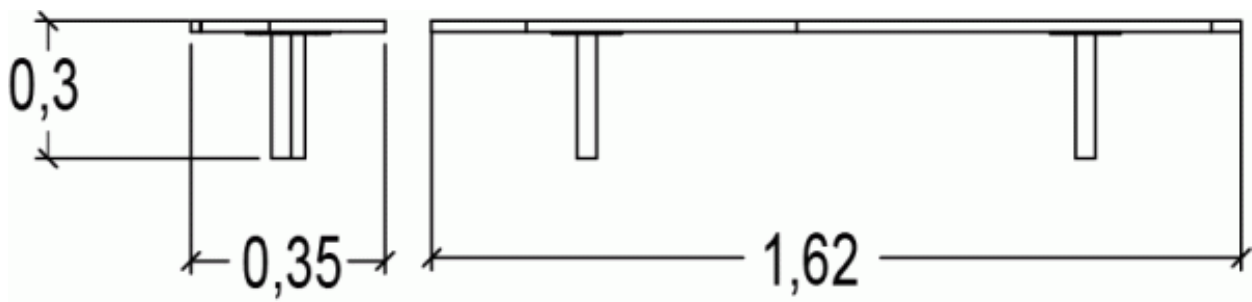
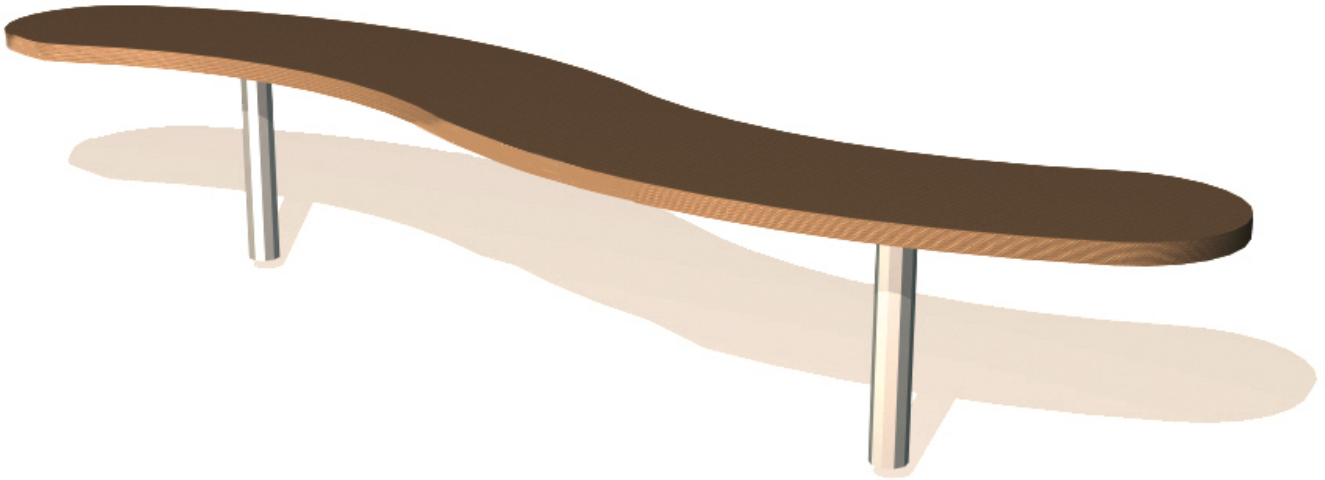


Physical inclusion
Sensory inclusion
Cognitive inclusion



Play value : 1



balancing

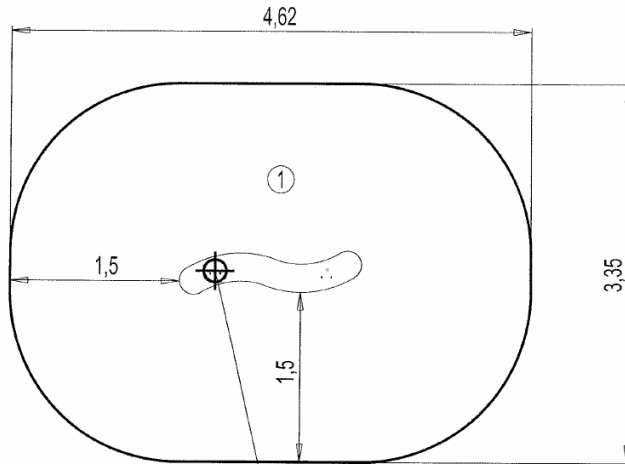


x1



Installation of equipment

IMPORTANT: It is essential to refer to the installation instructions for information on the size of the safety areas.

-  Impact area (minimum normative surface)
-  Free space



0 Point de Référence
Setting Out Point
Punto de referencia
Bezugspunkt

		
1	0,30m	14m ²



1



00h45



0.06m³



14m²



11kg



6kg

