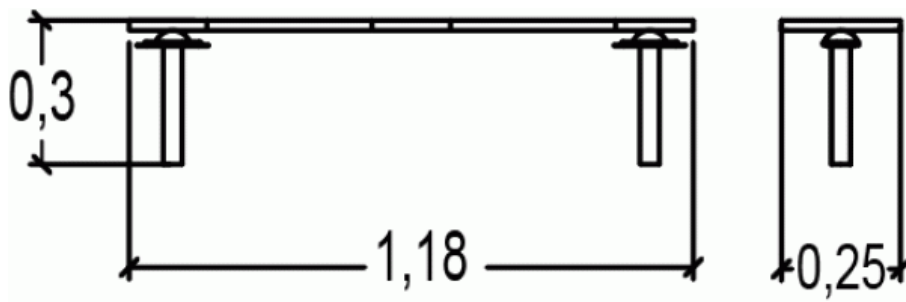


Physical inclusion  
Sensory inclusion  
Cognitive inclusion



Play value : 1



balancing

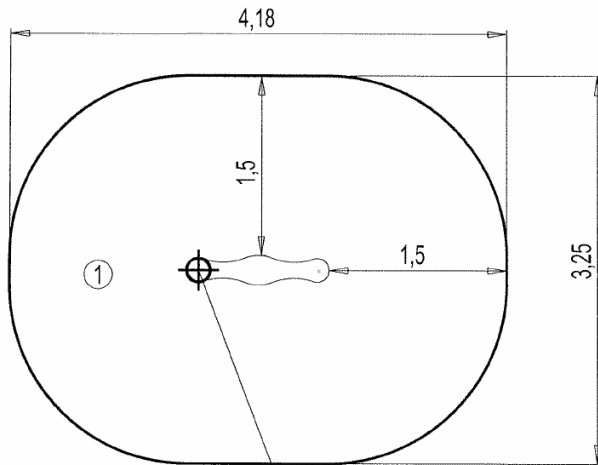


x1



## Installation of equipment

**IMPORTANT:** It is essential to refer to the installation instructions for information on the size of the safety areas.

-  Impact area (minimum normative surface)
-  Free space



Point de Référence  
Setting Out Point  
Punto de referencia  
Bezugspunkt

		
1	0,30m	12m <sup>2</sup>



1

00h45

0.06m<sup>3</sup>

12m<sup>2</sup>

9kg

3kg

EN

1176