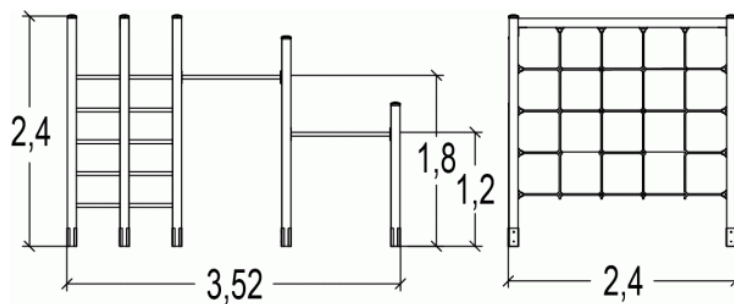
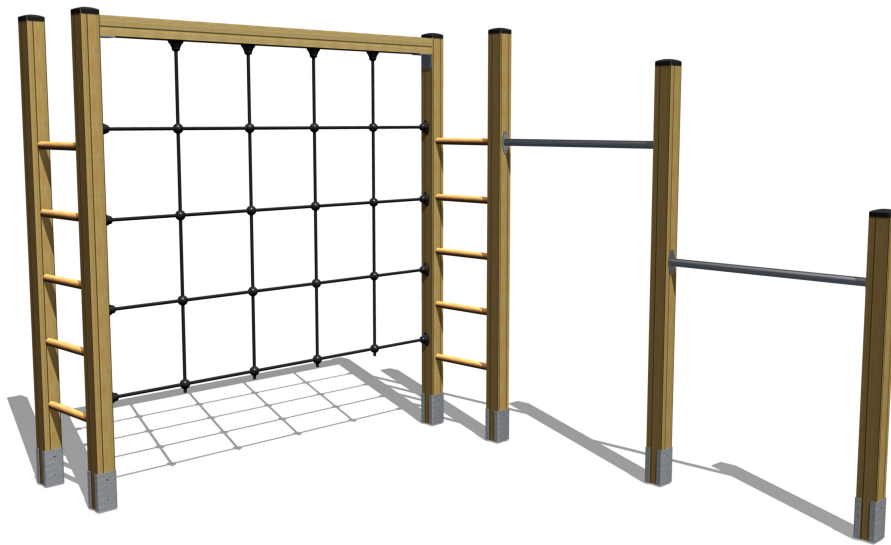
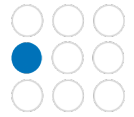


Physical inclusion
Sensory inclusion
Cognitive inclusion



Play value : 2

climbing

getting across

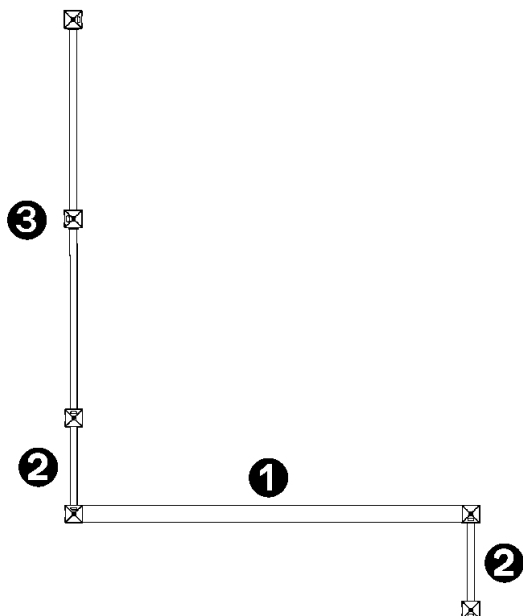


x1



x1

Components

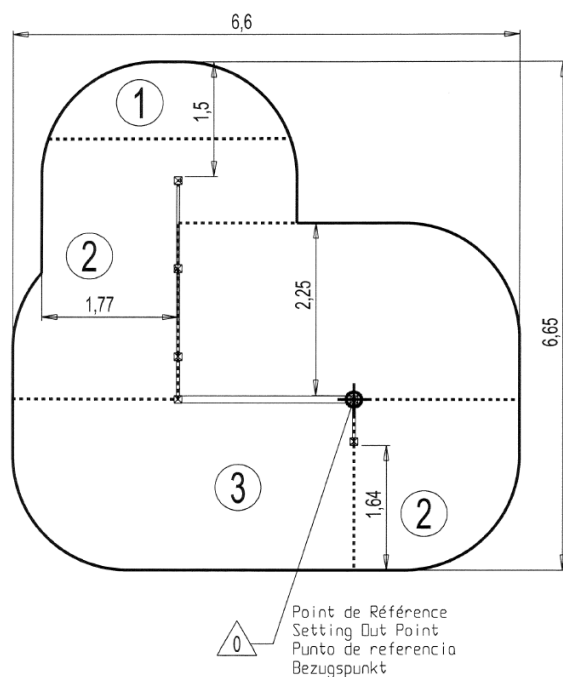


- ① Climbing net
- ② Step ladder
- ③ Horizontal bar HT: 1.2m et 1.8m

Installation of equipment

IMPORTANT: It is essential to refer to the installation instructions for information on the size of the safety areas.

- Impact area (minimum normative surface)
- Free space



1	1,20m	2,5m ²
2	1,8m	13m ²
3	2,4m	19,5m ²



2

03h00

0.2m³

35m²

143kg

27kg

EN

1176