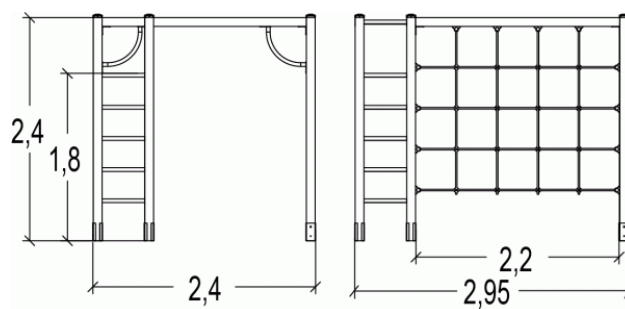
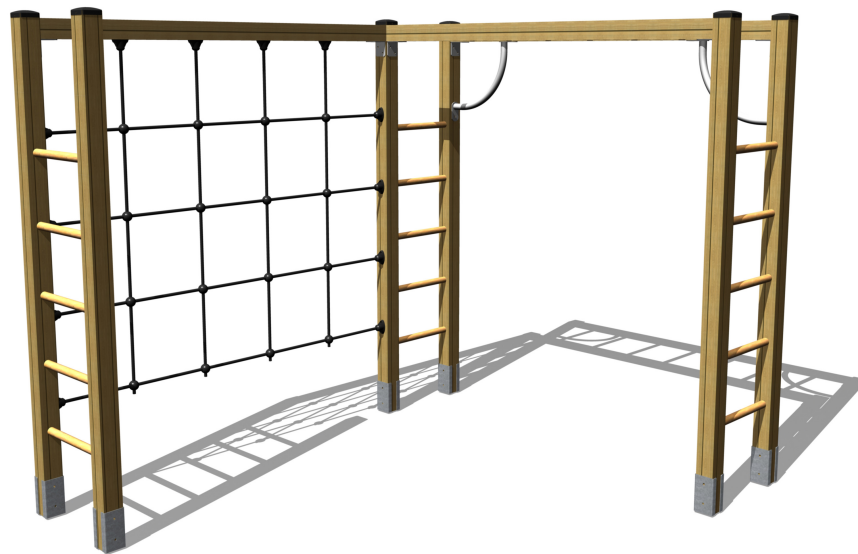


Physical inclusion
Sensory inclusion
Cognitive inclusion



Play value : **4**

hanging

climbing

getting across

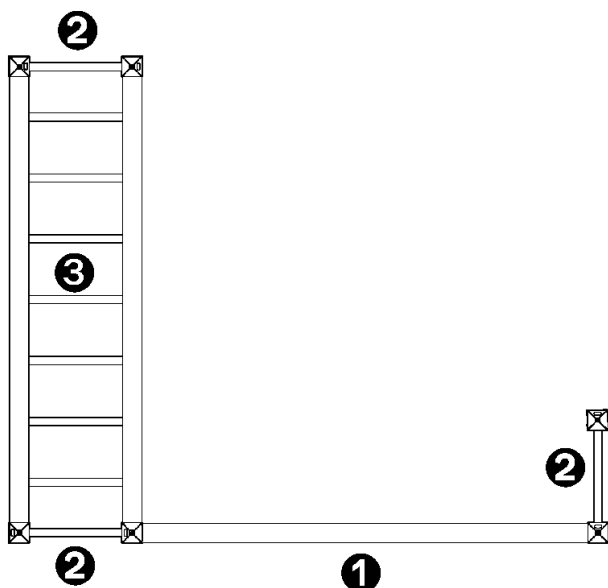


x1

x1

x2



Components

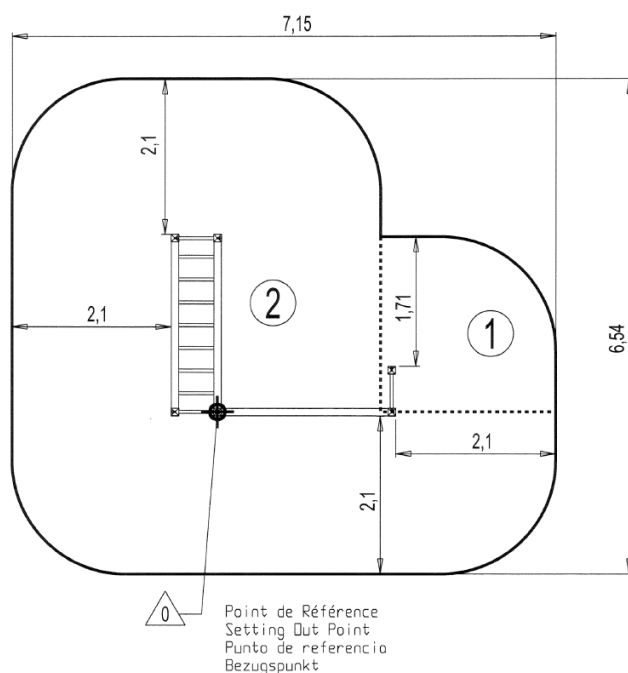


- ① Climbing net
- ② Step ladder
- ③ Suspension ladder

Installation of equipment

IMPORTANT: It is essential to refer to the installation instructions for information on the size of the safety areas.

-  Impact area (minimum normative surface)
-  Free space



Point de Référence
Setting Out Point
Punto de referencia
Bezugspunkt



1	1,8m	5m ²
2	2,4m	35m ²



2

04h15

0.2m³

40m²

180kg

27kg

EN

1176