


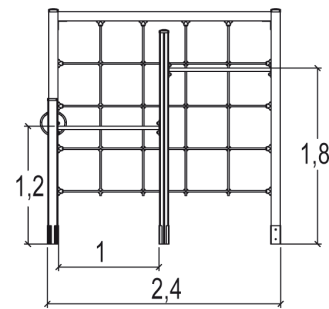
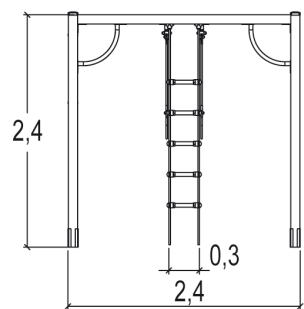
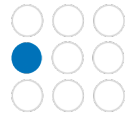
 **5+**
 **9**
 **2,4m**

 1 = 2,4m
 2 = 2,4m
 3 = 2,4m



Physical inclusion
Sensory inclusion
Cognitive inclusion



Play value : **5**

hanging

balancing

climbing

getting across



x1



x1

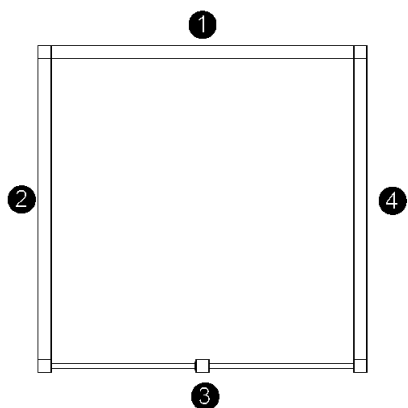


x2



x1



Components

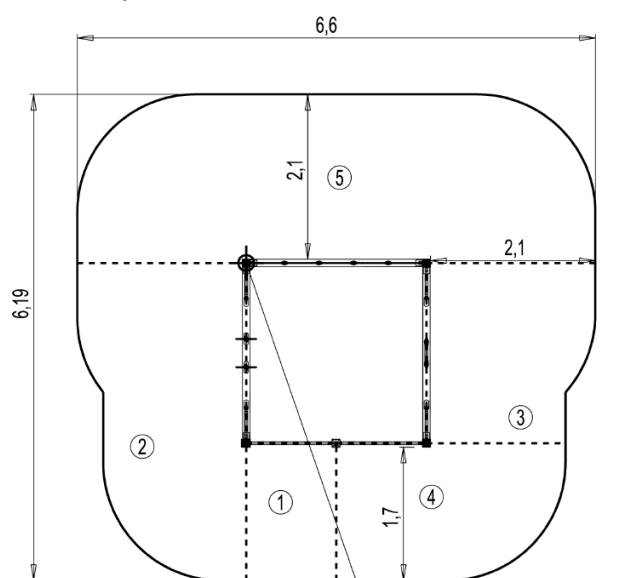


- ① Climbing net
- ② Rings
- ③ Horizontal bar HT: 1.2m et 1.8m
- ④ Rope- ladder

Installation of equipment

IMPORTANT: It is essential to refer to the installation instructions for information on the size of the safety areas.

-  Impact area (minimum normative surface)
-  Free space



Point de Référence
Setting Out Point
Punto de referencia
Bezugspunkt



1	1,2m	2m ²
2	1,53m	7m ²
3	1,7m	5m ²
4	1,8m	4,5m ²
5	2,4m	18,5m ²



2



05h00



0.2m³



38m²



166kg



12kg

