


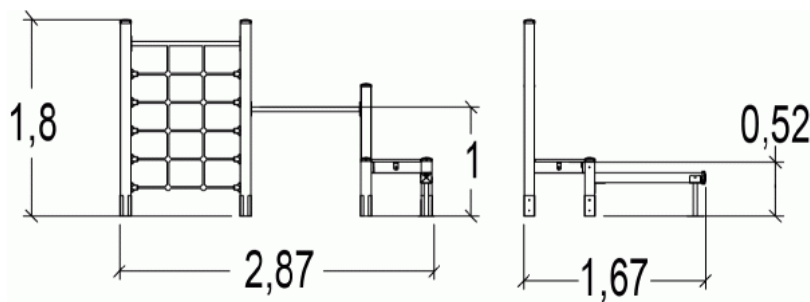
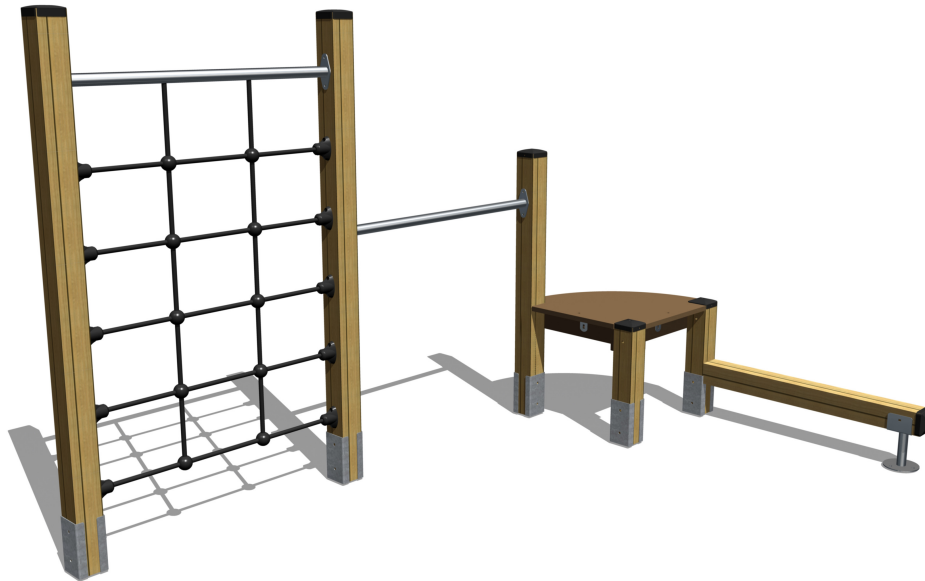
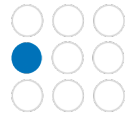
 **2+**
 **6**
 **1,6m**



 1 = 2,87m
 2 = 1,67m
 3 = 1,8m



Physical inclusion
Sensory inclusion
Cognitive inclusion



Play value : **4**

balancing



x1

climbing



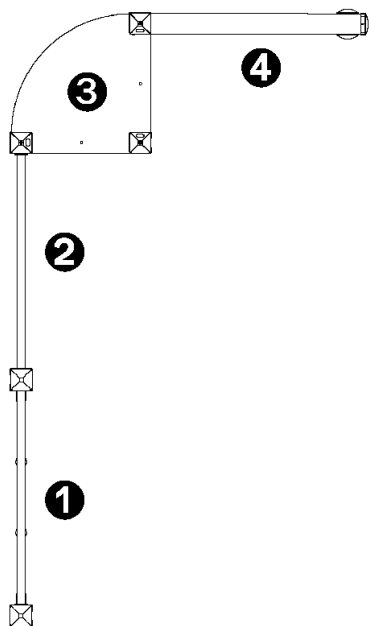
x1

getting across



x2

Components

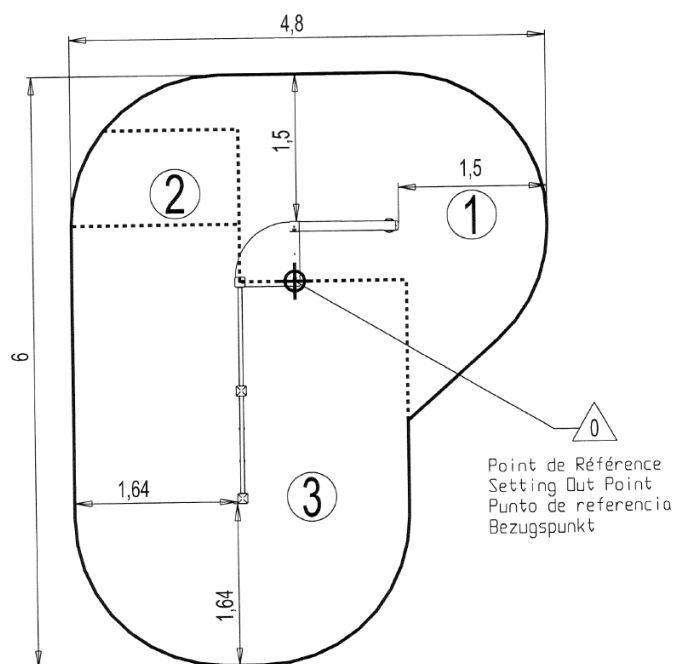


- ① Net
- ② Horizontal bar HT: 1m
- ③ Petit twist BASIC H : 0.52 m
- ④ Balance Beam

Installation of equipment

IMPORTANT: It is essential to refer to the installation instructions for information on the size of the safety areas.

- Impact area (minimum normative surface)
- Free space



1	<0,6m	8m ²
2	1m	2m ²
3	1,6m	13,5m ²



2

02h30

0.2m³

23.5m²

92kg

9kg

EN

1176