



3+



17



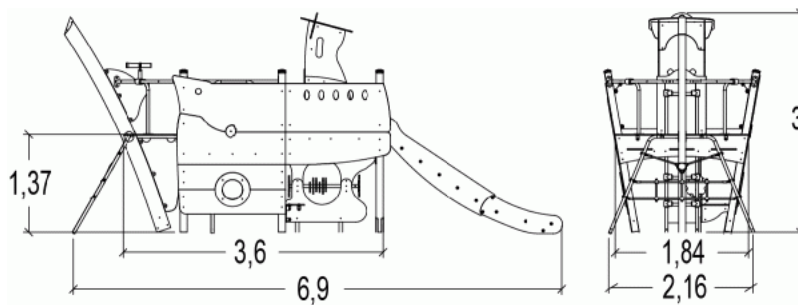
1,37m



1 = 6,9m
2 = 2,16m
3 = 3m



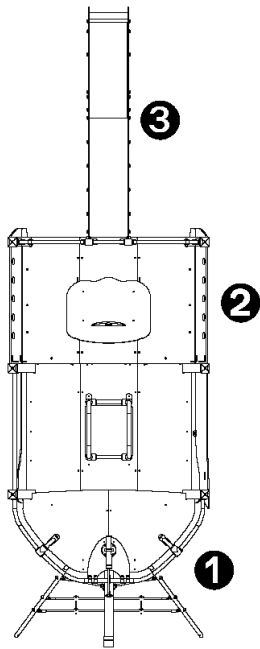
Physical inclusion
Sensory inclusion
Cognitive inclusion



Play value : **20**

role play	sliding	meeting	resting	handling	hiding	taking shelter	tactile stimulation
x2	x1	x2	x1	x3	x2	x1	x3
visual stimulation	climbing	getting across					
x2	x2	x1					



Components

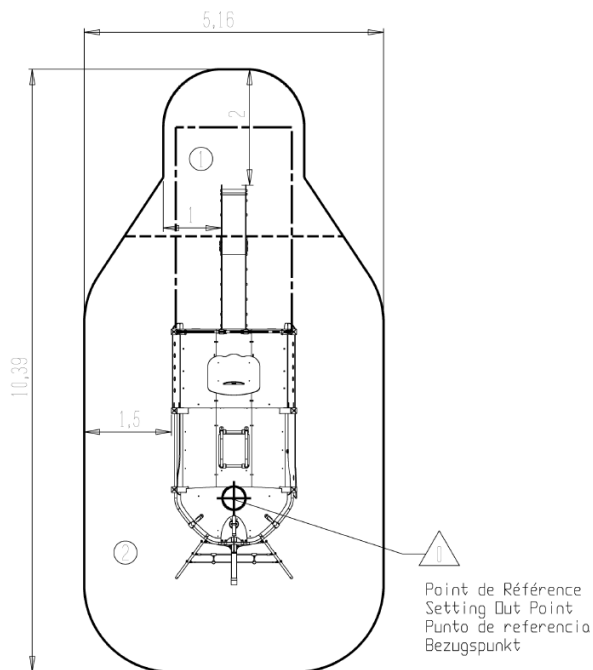


- ① THE STERN
- ② THE BOW
- ③ STAINLESS STEEL INOX

Installation of equipment

IMPORTANT: It is essential to refer to the installation instructions for information on the size of the safety areas.

-  Impact area (minimum normative surface)
-  Free space



1	1m	7,5m ²
2	1,37m	37,5m ²



2



32h00



0.5m³



45m²



763kg



33kg

