



3+



25



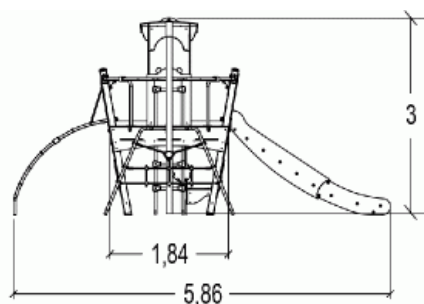
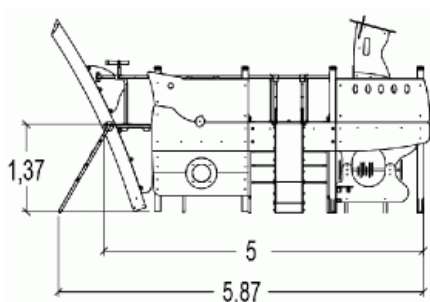
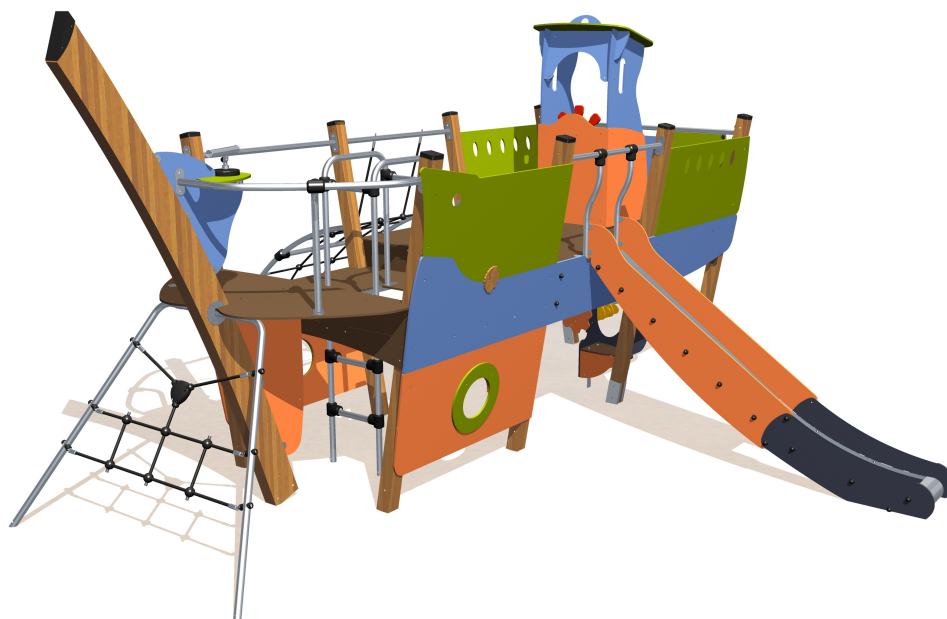
1,37m



1 = 5,87m
2 = 5,86m
3 = 3m



Physical inclusion
Sensory inclusion
Cognitive inclusion



Play value : **25**

role play



x3

sliding



x1

meeting



x3

resting



x1

handling



x3

hiding



x3

taking shelter



x1

tactile stimulation



x3

visual stimulation



x2

climbing



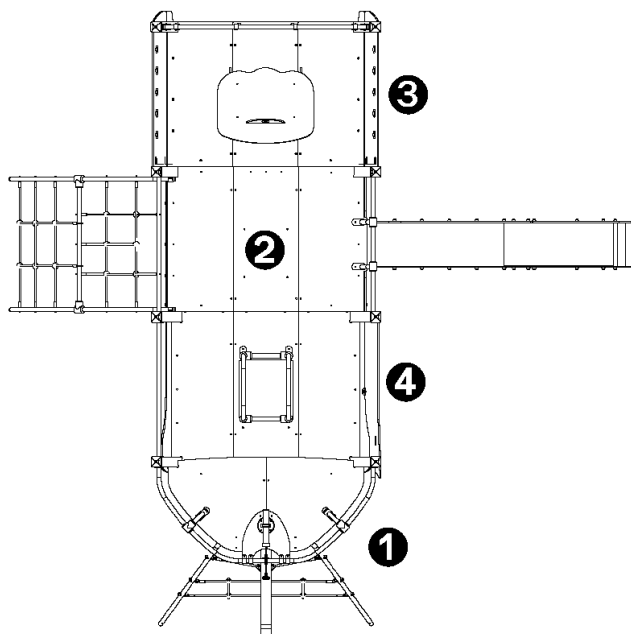
x3

getting across



x2

Components

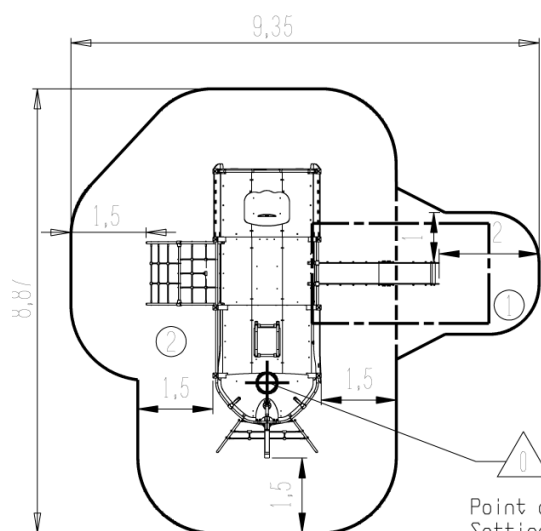


- ① THE STERN
- ② NET + SLIDE
- ③ THE BOW
- ④ GUARD RAILS

Installation of equipment

IMPORTANT: It is essential to refer to the installation instructions for information on the size of the safety areas.

-  Impact area (minimum normative surface)
-  Free space



Point de Référence
Setting Out Point
Punto de referencia
Bezugspunkt



1	1m	7m ²
2	1,37m	49,5m ²



2



40h00



0.6m³



56.5m²



949kg



33kg

EN

1176