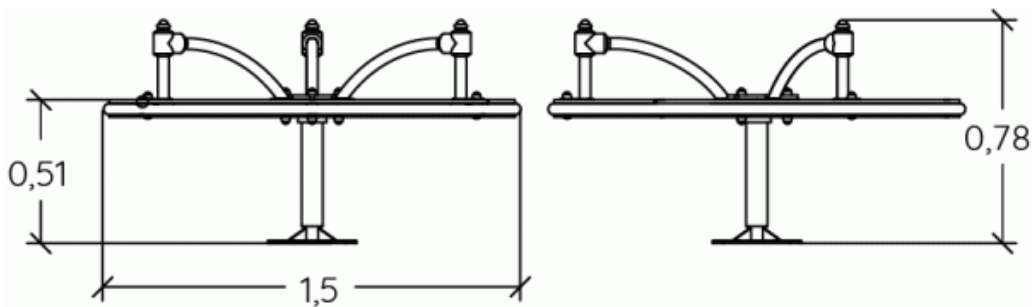
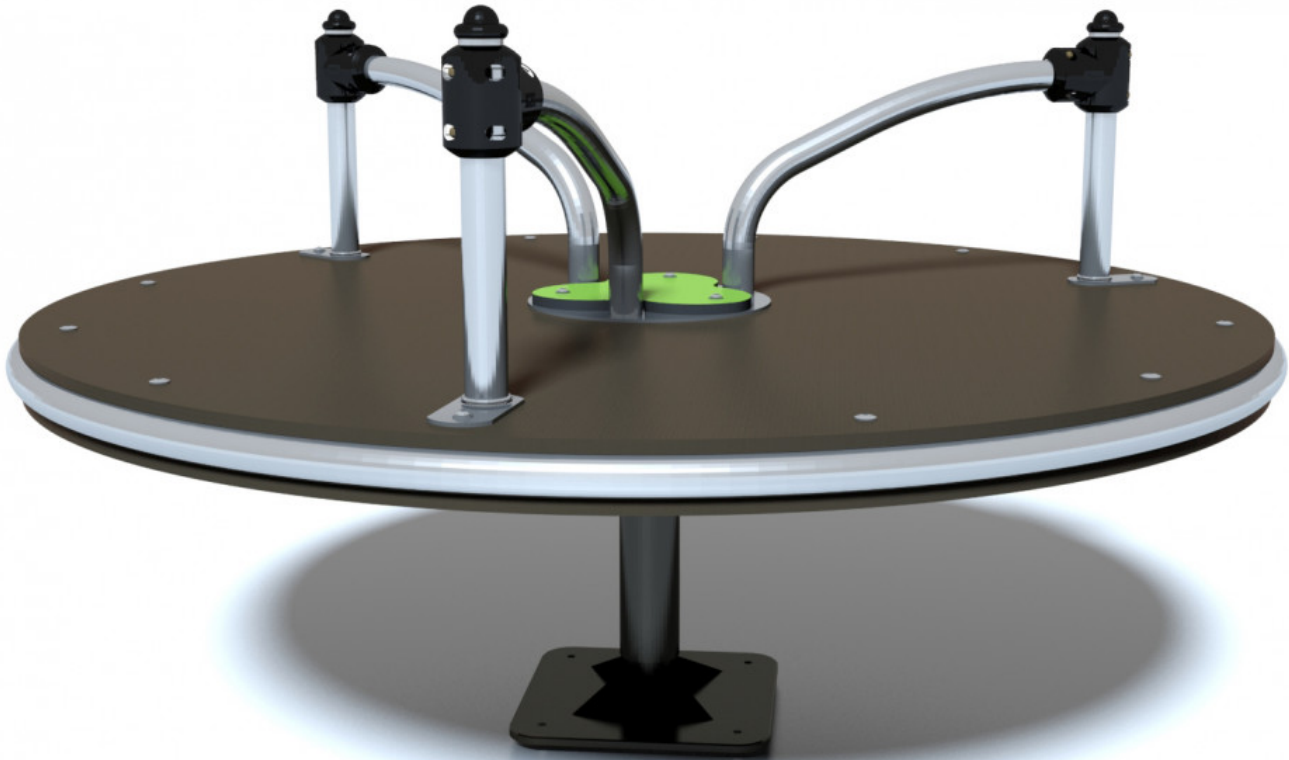


Physical inclusion
Sensory inclusion
Cognitive inclusion



Play value : **3**

meeting

balancing

rotating



x1





x1



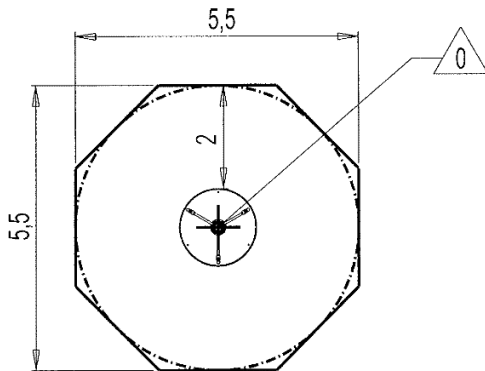
x1



Installation of equipment

IMPORTANT: It is essential to refer to the installation instructions for information on the size of the safety areas.

-  Impact area (minimum normative surface)
-  Free space

Point de Référence
Setting Out Point
Punto de referencia
Bezugspunkt



		
1	1m	25m ²



2



01h45



0.15m³



25m²



124kg



113kg

