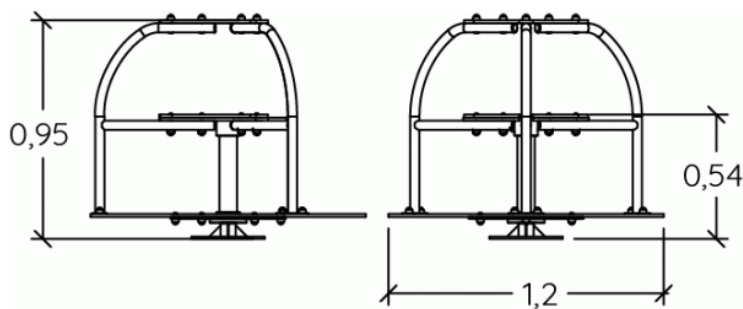


Physical inclusion
Sensory inclusion
Cognitive inclusion



Play value : **3**

meeting



x1

balancing



x1



rotating

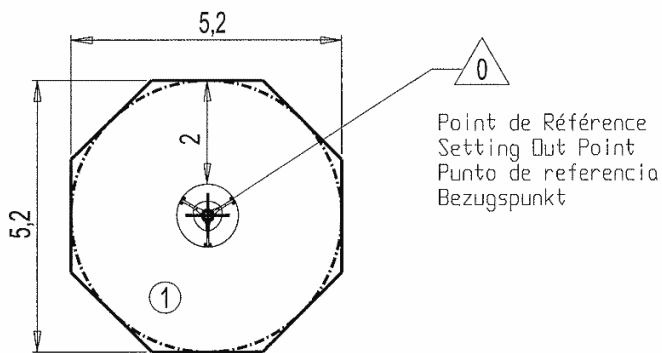




x1

Installation of equipment

IMPORTANT: It is essential to refer to the installation instructions for information on the size of the safety areas.

-  Impact area (minimum normative surface)
-  Free space



		
1	1m	23m ²



2



01h45



0.15m³



23m²



92kg



81kg

