


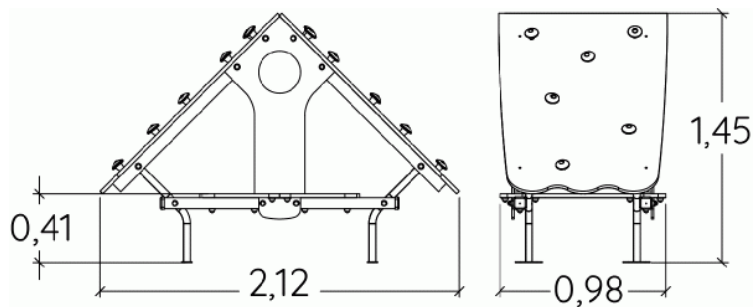
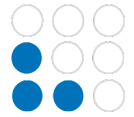
 **2+**
 **14**
 **1,5m**



 1 = 2,12m
 2 = 0,98m
 3 = 1,45m



Physical inclusion
Sensory inclusion
Cognitive inclusion



Play value :

6

climbing



x1

role play



x1

meeting



x1

resting



x1

hiding



x1

taking shelter

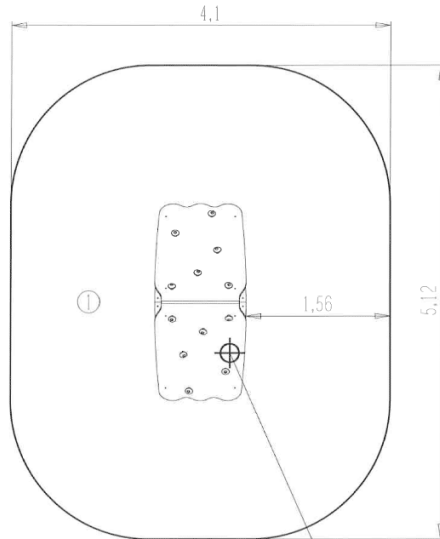


x1



Installation of equipment

IMPORTANT: It is essential to refer to the installation instructions for information on the size of the safety areas.

-  Impact area (minimum normative surface)
-  Free space



Point de Référence
Setting Out Point
Punto de referencia
Bezugspunkt

		
1	1,50m	19m ²



2



01h50



0.1m³



19m²



110kg



23kg

