


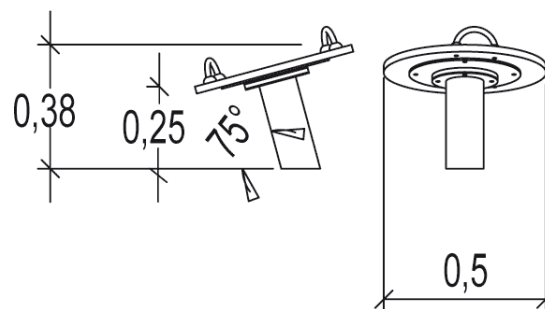
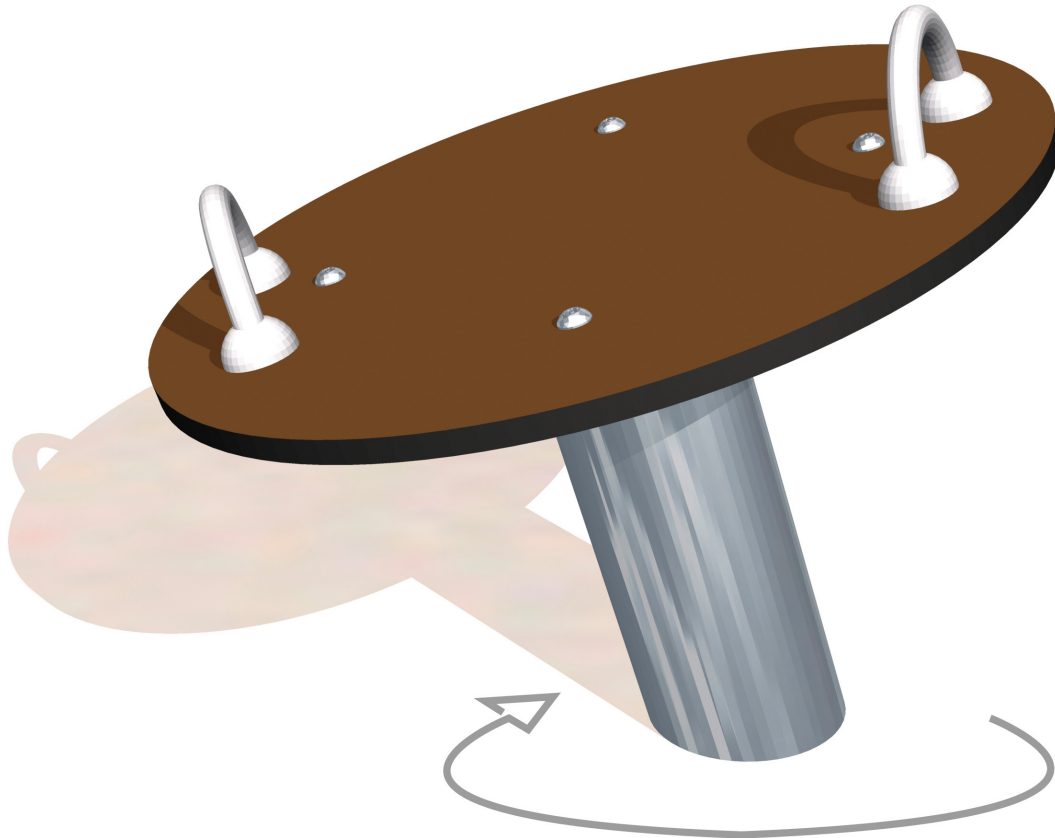
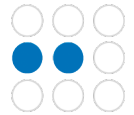
 **7+**  
 **2**  
 **0,6m**


  
 1 = 0,48m  
 2 = 0,48m  
 3 = 0,38m



Physical inclusion  
Sensory inclusion  
Cognitive inclusion



**Play value :** **3**

meeting



x1

balancing



x1


rotating



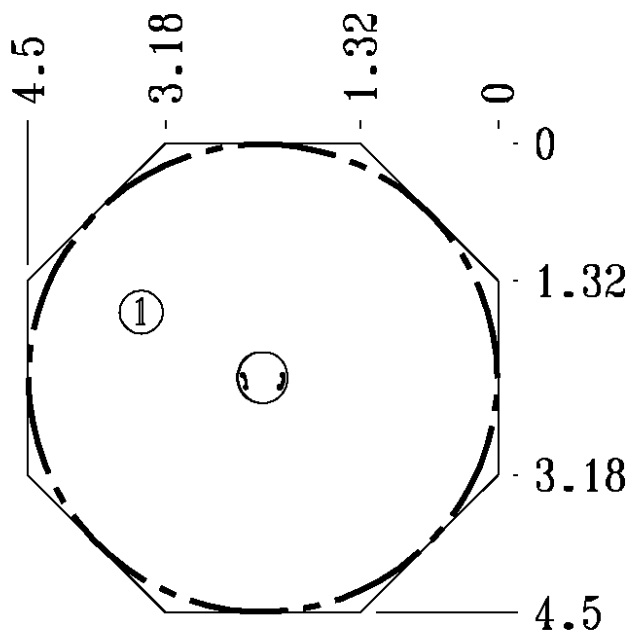
x1



## Installation of equipment

**IMPORTANT:** It is essential to refer to the installation instructions for information on the size of the safety areas.

 Impact area (minimum normative surface)

 Free space



		
1	0,6m	17m <sup>2</sup>



1

01h45

0.1m<sup>3</sup>

17m<sup>2</sup>

28kg

23kg

EN

1176