



2-6



4



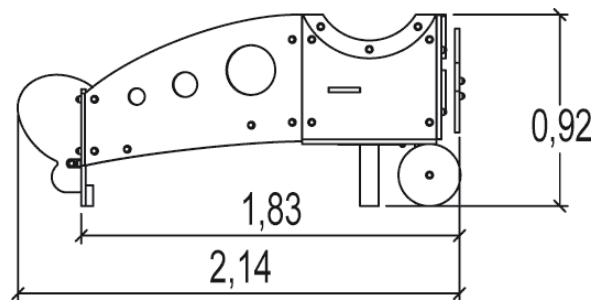
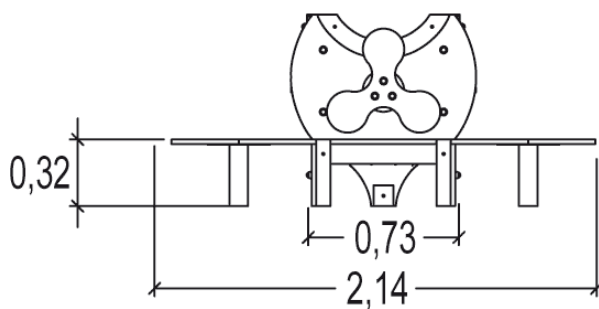
0,6m



1 = 2,16m  
2 = 2,05m  
3 = 0,93m



Physical inclusion  
Sensory inclusion  
Cognitive inclusion



**Play value :** **4**

role play

meeting

resting

handling



x1



x1





x1

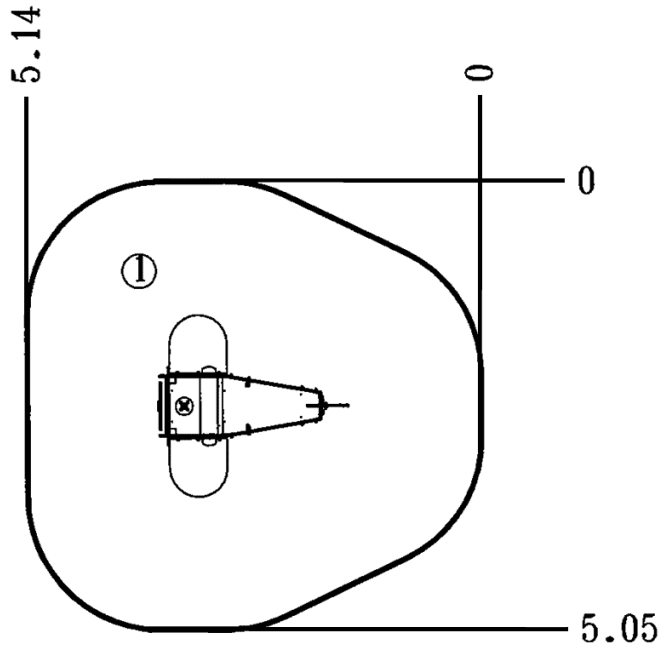




x1

## Installation of equipment

**IMPORTANT:** It is essential to refer to the installation instructions for information on the size of the safety areas.

-  Impact area (minimum normative surface)
-  Free space



		
1	0,6m	22m <sup>2</sup>



2



03h45



0.14m<sup>3</sup>



22m<sup>2</sup>



119kg



27kg

