



2-6



3



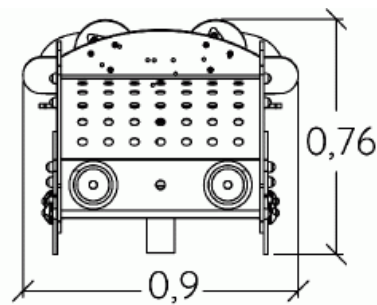
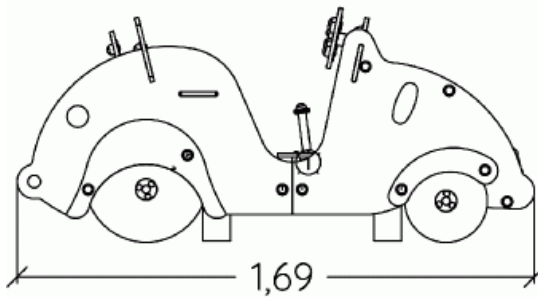
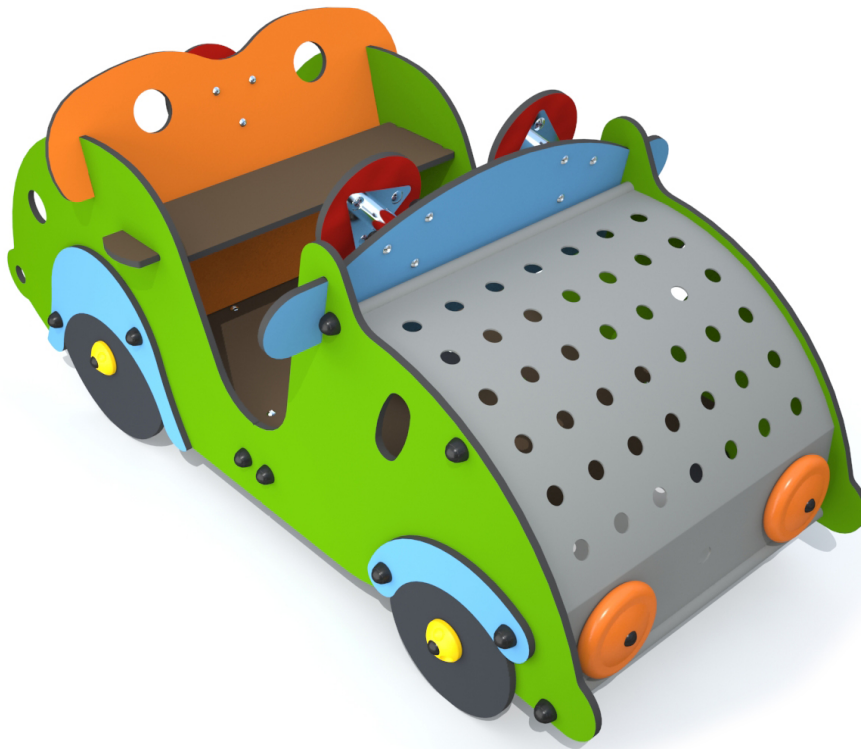
0,5m



1 = 1,69m
2 = 0,9m
3 = 0,76m



Physical inclusion
Sensory inclusion
Cognitive inclusion



Play value :

4

role play

meeting

resting

handling



x1



x1



x1



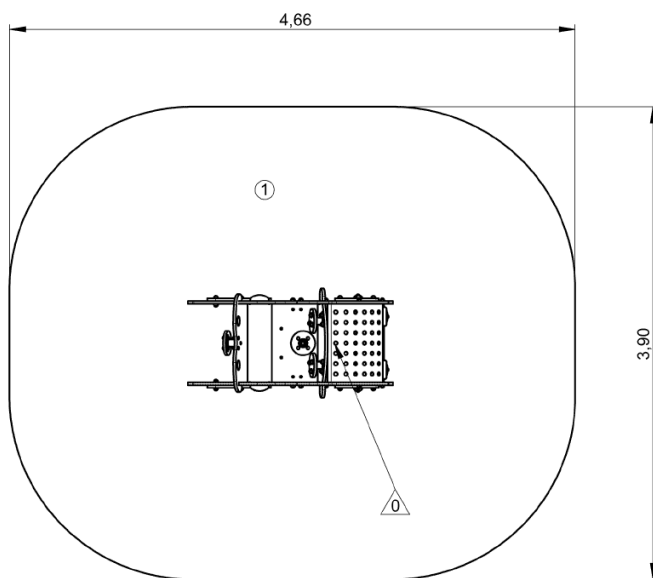
x1

Installation of equipment

IMPORTANT: It is essential to refer to the installation instructions for information on the size of the safety areas.

———— Impact area (minimum normative surface)

- - - - - Free space



1	0,5m	16,5m ²



2



03h00



0.2m³



16.5m²



84kg



9kg

