



2-6



4



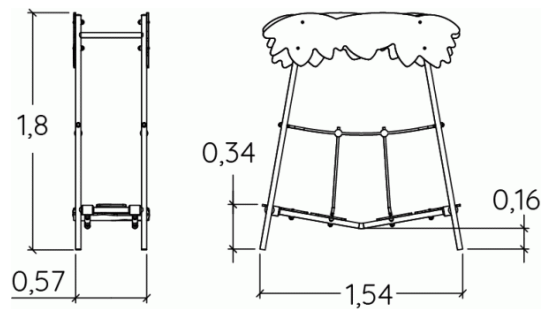
0,9m



1 = 1,54m
2 = 0,57m
3 = 1,8m



Physical inclusion
Sensory inclusion
Cognitive inclusion



Play value : **3**

meeting



x1

balancing



x1



getting across

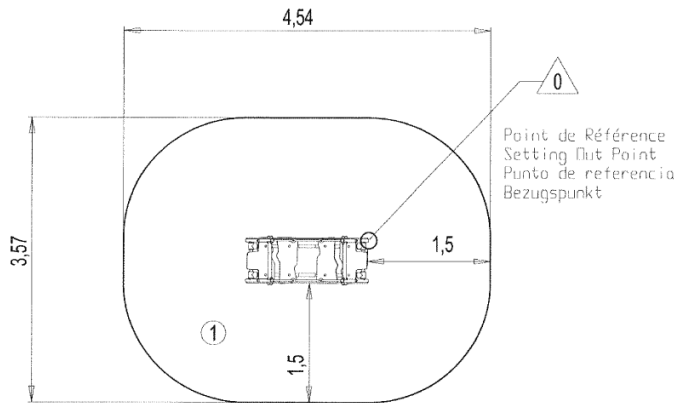




x1

Installation of equipment

IMPORTANT: It is essential to refer to the installation instructions for information on the size of the safety areas.

-  Impact area (minimum normative surface)
-  Free space



		
1	0,9m	14,5m ²



2



01h30



0.11m³



14.5m²



69kg



12kg

