



2-6



4



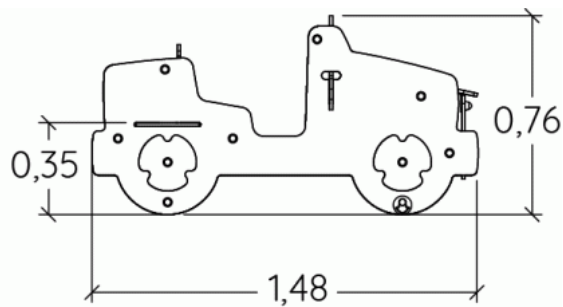
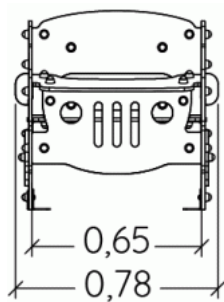
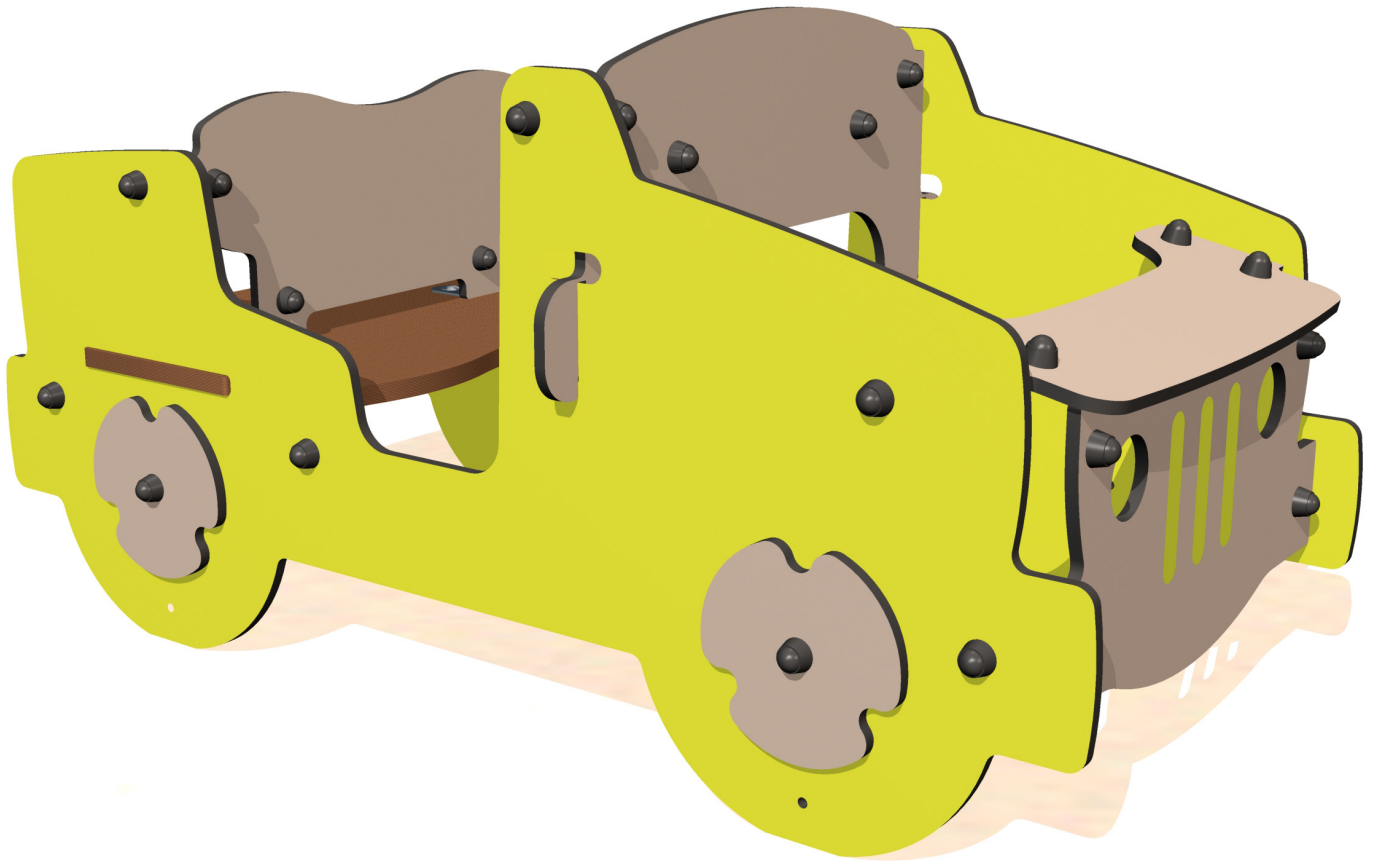
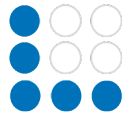
0,35m



1 = 1,48m  
2 = 0,78m  
3 = 0,76m



Physical inclusion  
Sensory inclusion  
Cognitive inclusion



**Play value :**

**4**

role play



x1

meeting



x1

resting



x1

handling

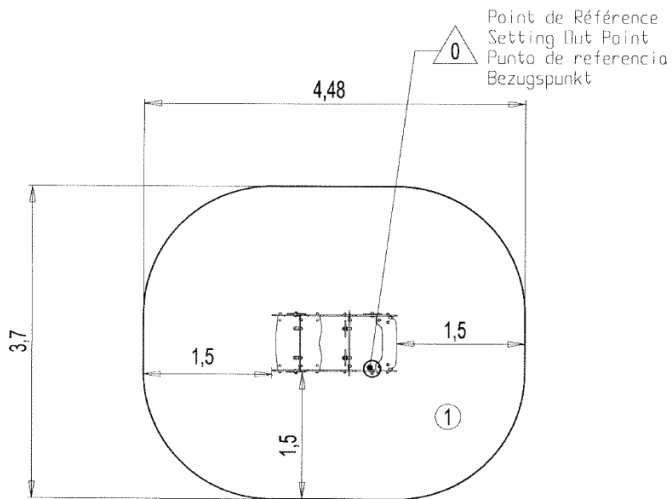




x1

## Installation of equipment

**IMPORTANT:** It is essential to refer to the installation instructions for information on the size of the safety areas.

-  Impact area (minimum normative surface)
-  Free space



		
1	0,35m	15m <sup>2</sup>



2



01h30



0.1m<sup>3</sup>



15m<sup>2</sup>



53kg



10kg

