



2-6



18



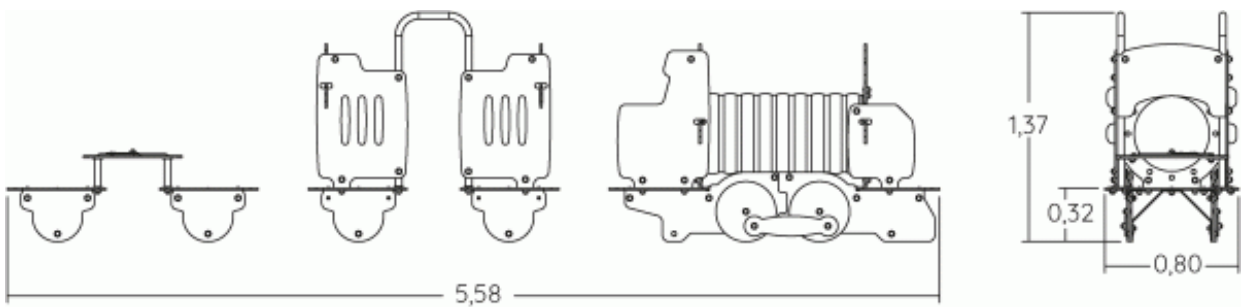
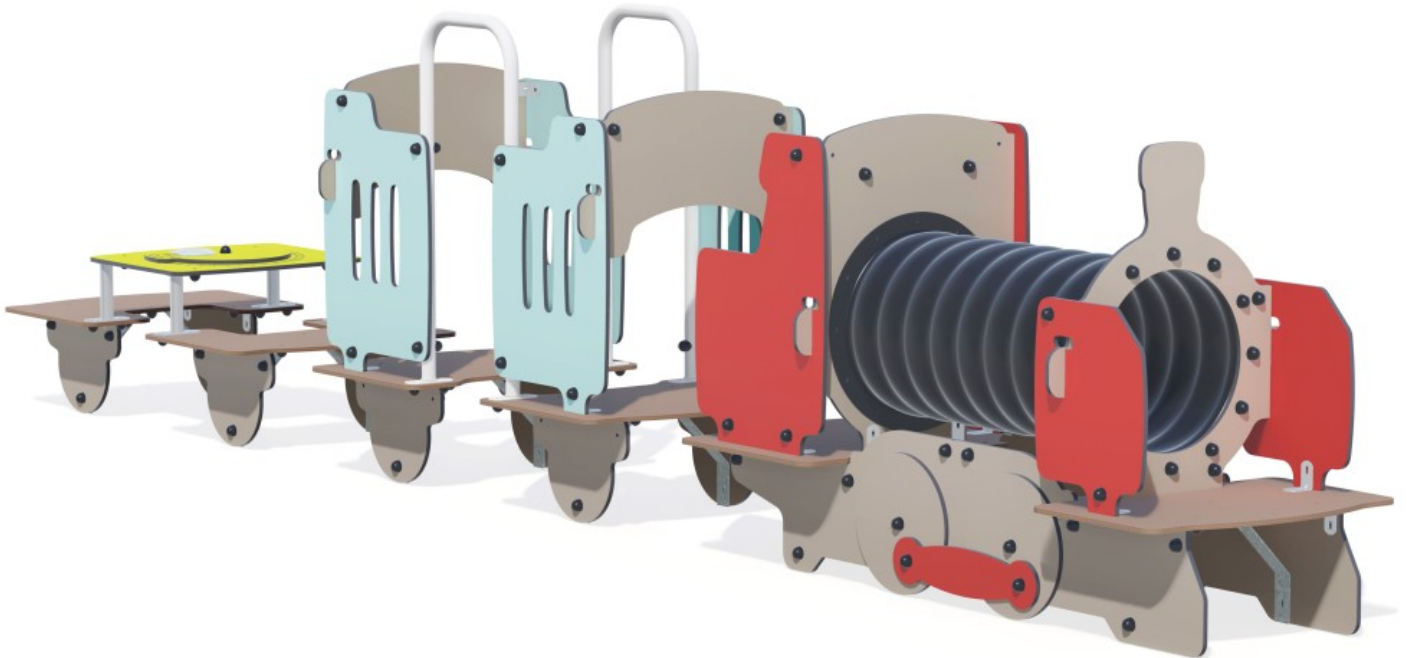
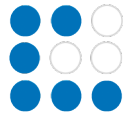
0,86m



1 = 5,6m
2 = 0,8m
3 = 1,4m



Physical inclusion
Sensory inclusion
Cognitive inclusion



Play value : **12**

role play



x2

meeting



x3

resting



x3

handling



x1

crawling



x1

hiding



x1



thinking

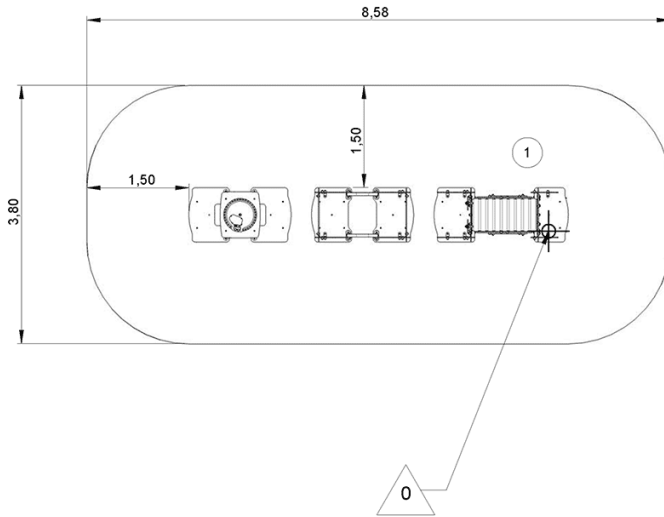




x1

Installation of equipment

IMPORTANT: It is essential to refer to the installation instructions for information on the size of the safety areas.

-  Impact area (minimum normative surface)
-  Free space



		
1	0,86m	30,6m ²



2



0m³



30.6m²



194kg



9kg

