


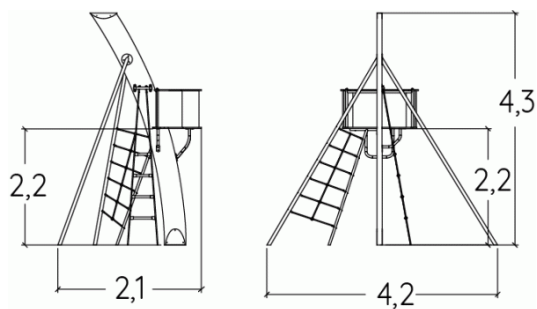
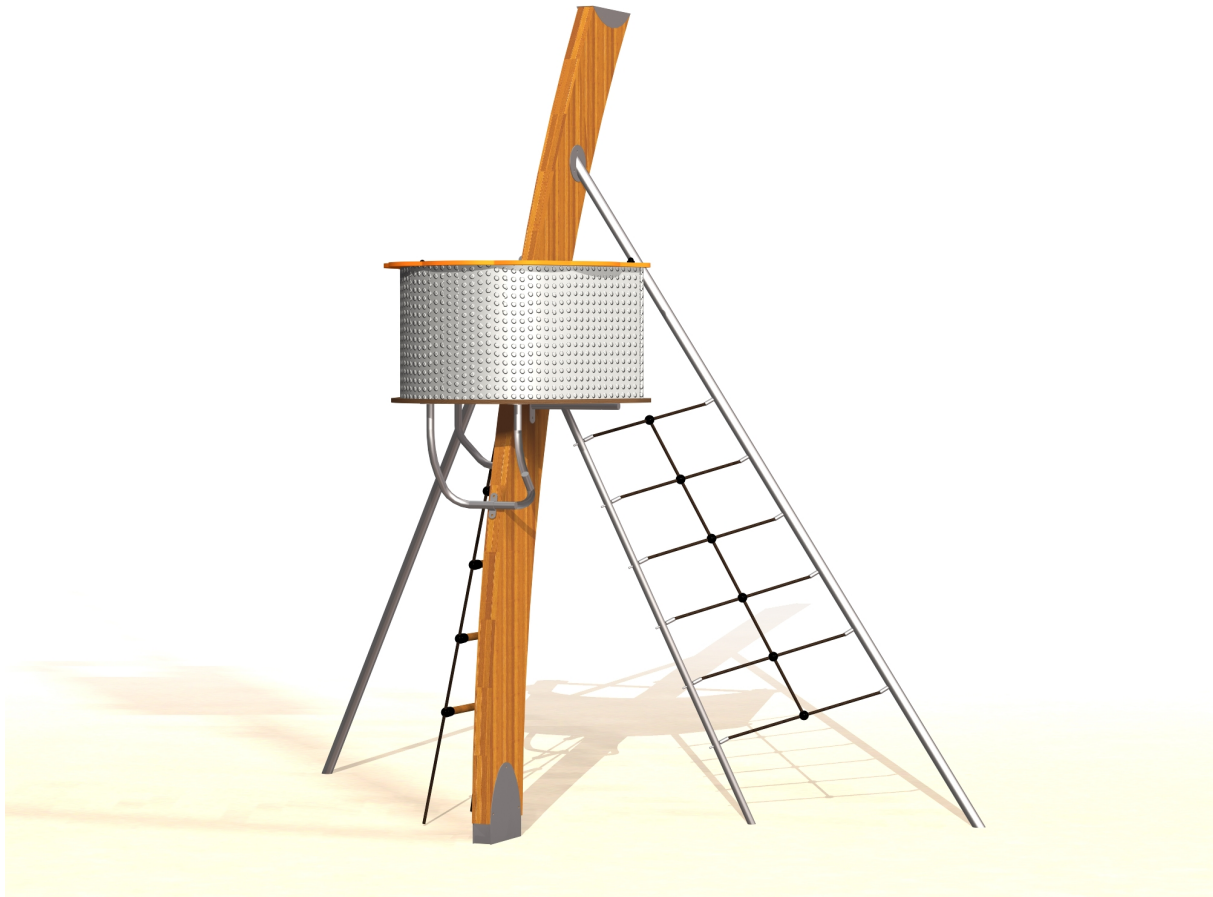
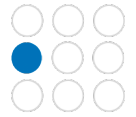
 4+
 10
 2,2m


 1 = 4,2m
 2 = 2,1m
 3 = 4,35m



Physical inclusion
Sensory inclusion
Cognitive inclusion



Play value :

6

role play

meeting

balancing

climbing



x1



x1

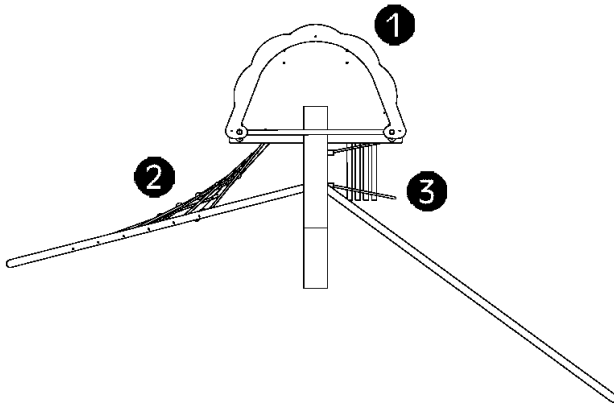


x2



x2



Components

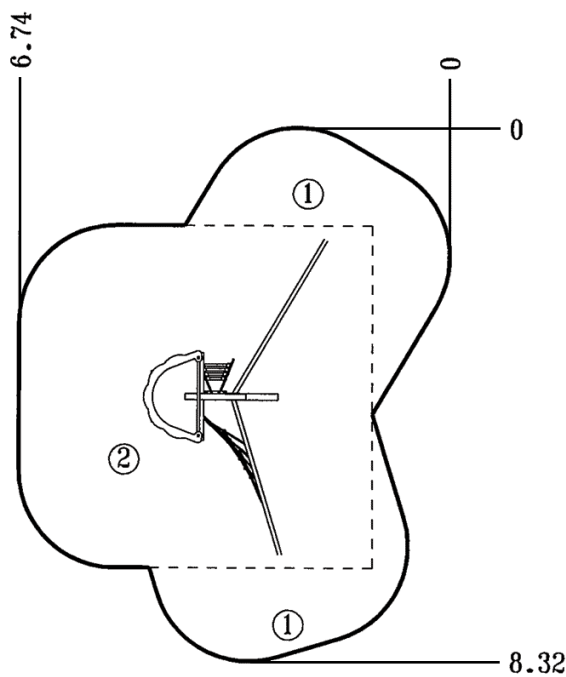


- ① Platforms HT: 2.2m
- ② Climbing net
- ③ Flexible ladder

Installation of equipment

IMPORTANT: It is essential to refer to the installation instructions for information on the size of the safety areas.

-  Impact area (minimum normative surface)
-  Free space



1	0,60m	2,5m ²
2	2,20m	33m ²



2



07h45



0.7m³



35.5m²



236kg



97kg

