



1-8



6



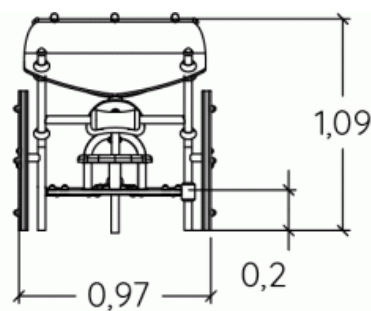
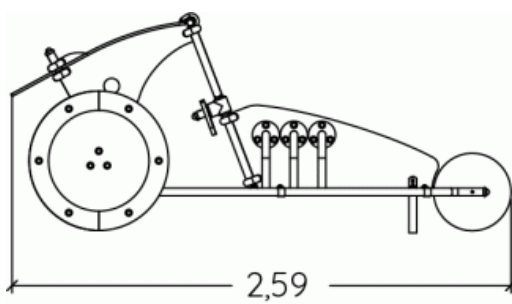
0,2m



1 = 2,59m
2 = 0,97m
3 = 1,09m



Physical inclusion
Sensory inclusion
Cognitive inclusion



Play value : **5**

role play



x1

meeting



x1

resting



x1

handling



x1



taking shelter

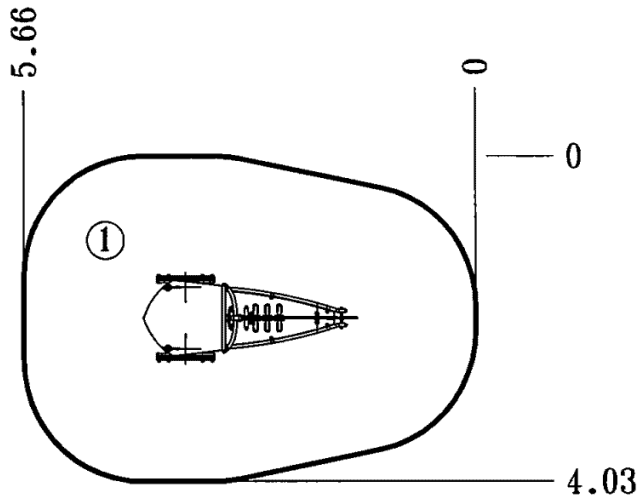




x1

Installation of equipment

IMPORTANT: It is essential to refer to the installation instructions for information on the size of the safety areas.

-  Impact area (minimum normative surface)
-  Free space



		
1	0,2m	19,5m ²



2



03h15



0.09m³



21m²



125kg



20kg

