



2-10



10



1m



1 = 1,83m  
2 = 1,52m  
3 = 2m



Physical inclusion  
Sensory inclusion  
Cognitive inclusion



Play value :

4

climbing



x1

sliding



x1

meeting



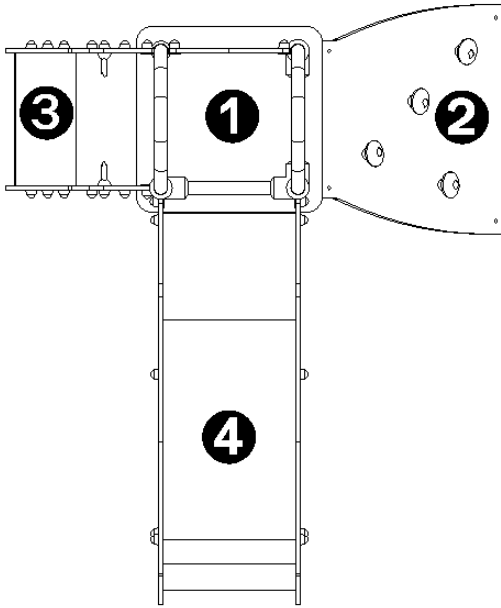
x1

climbing



x1



## Components

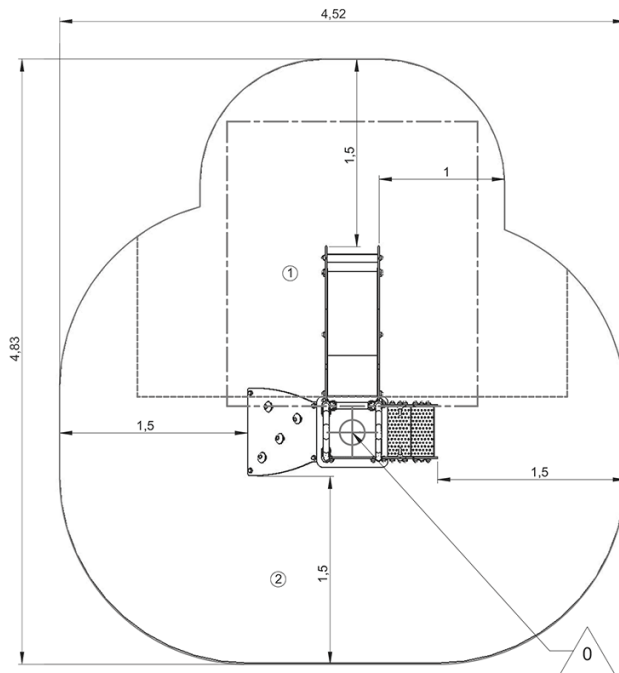


- ① Platform HT: 0.6m
- ② Slope
- ③ Steps
- ④ Slide HT: 0.6m

## Installation of equipment

**IMPORTANT:** It is essential to refer to the installation instructions for information on the size of the safety areas.

-  Impact area (minimum normative surface)
-  Free space



1	0,6m	10m <sup>2</sup>
2	1m	7,5m <sup>2</sup>



2



15h00



0.19m<sup>3</sup>



17.5m<sup>2</sup>



91kg



10kg

