



2-10



8



1m



1 = 1,76m
2 = 0,96m
3 = 2m



Physical inclusion
Sensory inclusion
Cognitive inclusion



Play value : **3**

sliding



x1

meeting



x1

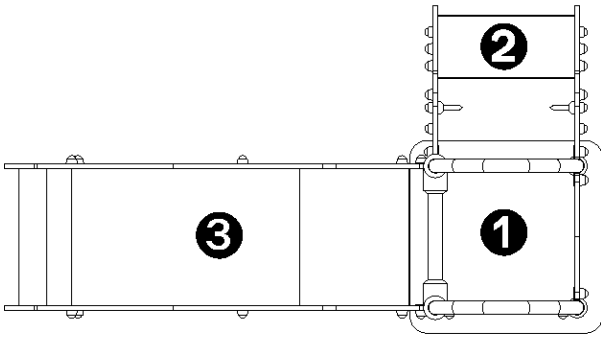
climbing



x1



Components

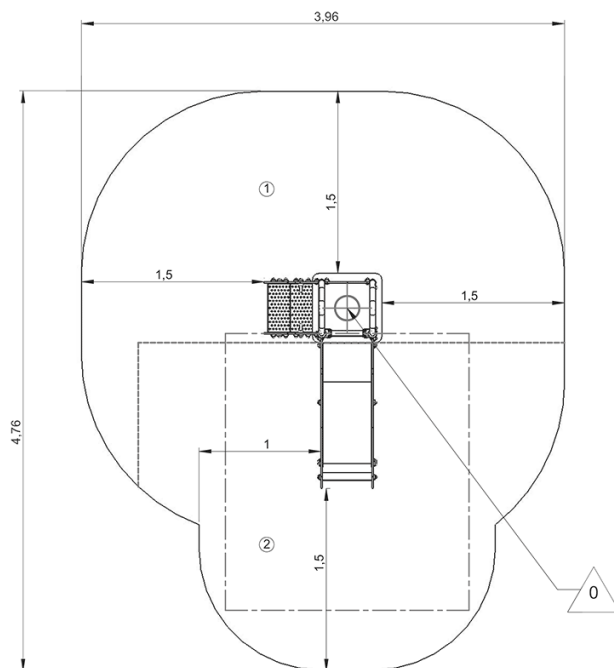
- ❶ Platform HT: 0.6m
- ❷ Steps
- ❸ Slide HT: 0.6m



Installation of equipment

IMPORTANT: It is essential to refer to the installation instructions for information on the size of the safety areas.

-  Impact area (minimum normative surface)
-  Free space



1	0,6m	7,5m ²
2	1m	8m ²



2



14h00



0.05m³



15.5m²



85kg



10kg

