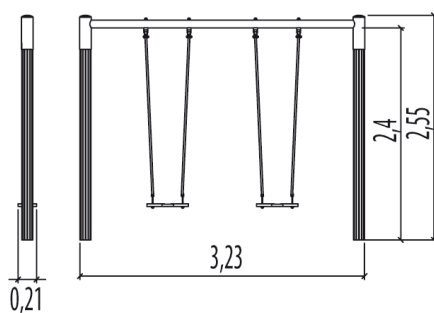
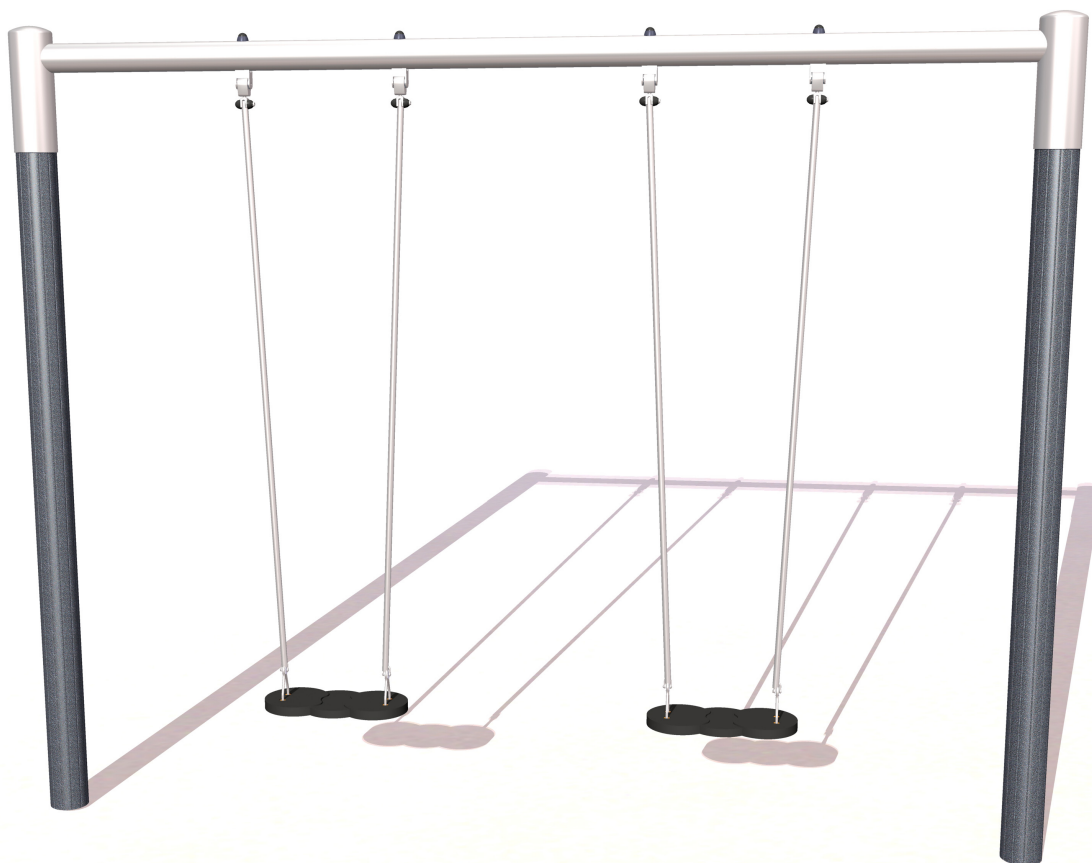


Physical inclusion  
Sensory inclusion  
Cognitive inclusion



Play value : **2**

meeting



x1



swinging

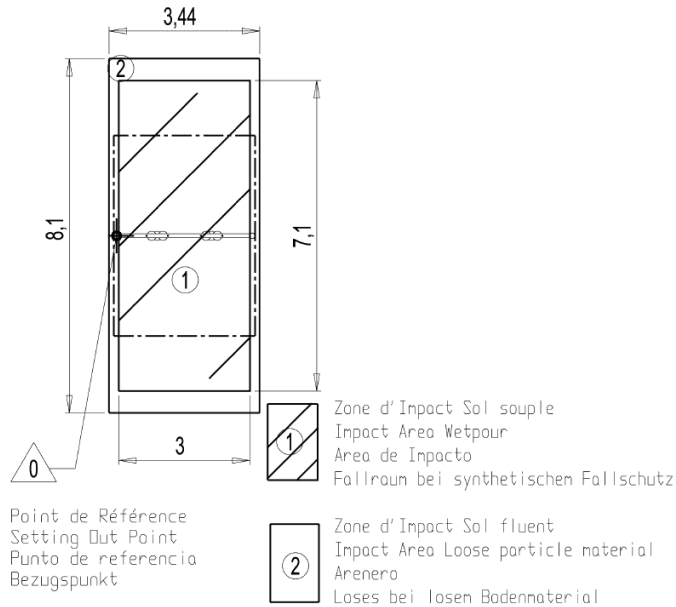




x1

## Installation of equipment

**IMPORTANT:** It is essential to refer to the installation instructions for information on the size of the safety areas.

-  Impact area (minimum normative surface)
-  Free space



		
1	1,4m	21,5m <sup>2</sup>
2	1,4m	28m <sup>2</sup>



2



01h30



0.5m<sup>3</sup>



21.5m<sup>2</sup>



57kg



30kg

