


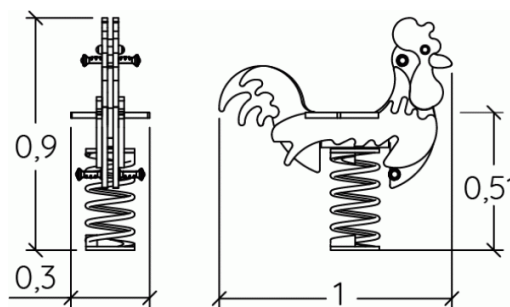
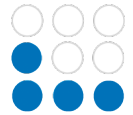
 **2+**  
 **1**  
 **0,6m**


  
 1 = 1m  
 2 = 0,3m  
 3 = 0,9m



Physical inclusion  
Sensory inclusion  
Cognitive inclusion



**Play value :** **3**

role play

balancing

Oscillate



x1




x1



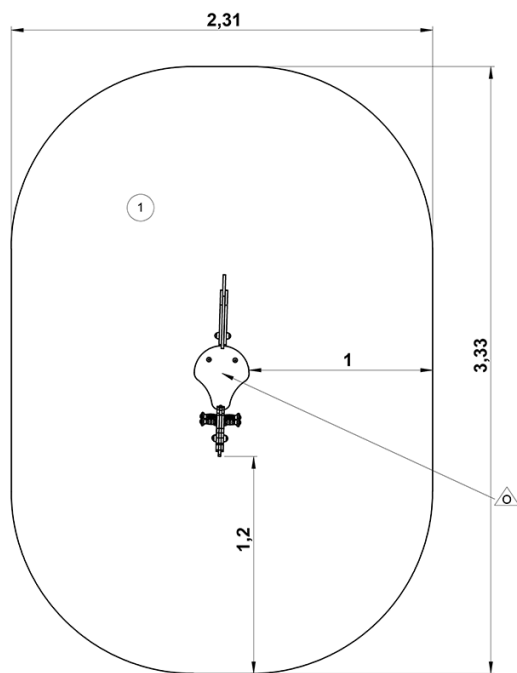
x1



## Installation of equipment

**IMPORTANT:** It is essential to refer to the installation instructions for information on the size of the safety areas.

 Impact area (minimum normative surface)

 Free space



		
1	0,6m	7m <sup>2</sup>



1



01h30



0m<sup>3</sup>



7m<sup>2</sup>



29kg



10kg

