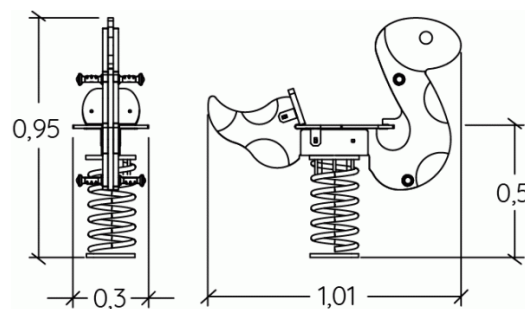


Physical inclusion  
Sensory inclusion  
Cognitive inclusion



**Play value :**      **3**

role play

balancing

Oscillate



x1




x1



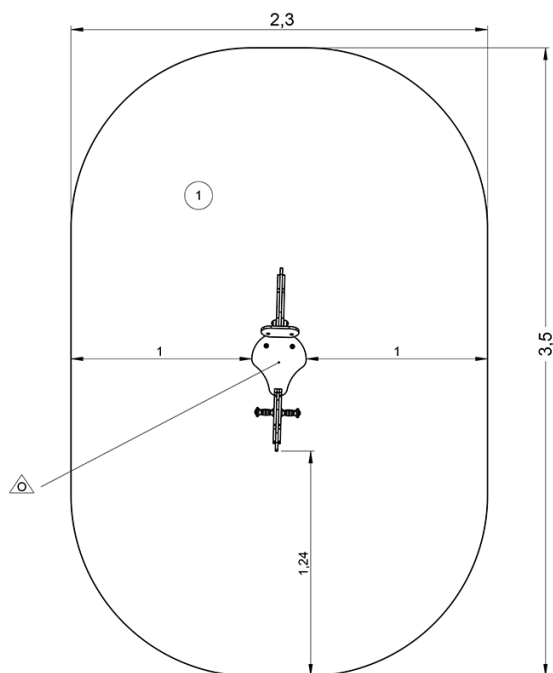
x1



## Installation of equipment

**IMPORTANT:** It is essential to refer to the installation instructions for information on the size of the safety areas.

 Impact area (minimum normative surface)

 Free space



		
1	0,6m	7m <sup>2</sup>



1



01h15



0m<sup>3</sup>



7m<sup>2</sup>



30kg



10kg

