



2+



1



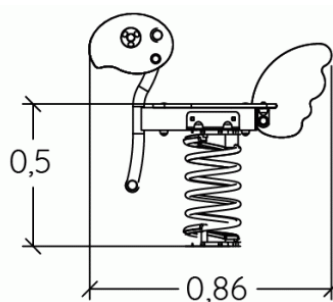
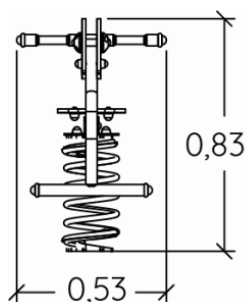
0,6m



1 = 0,86m  
2 = 0,53m  
3 = 0,83m



Physical inclusion  
Sensory inclusion  
Cognitive inclusion



Play value :

3

role play



x1

balancing



x1

Oscillate



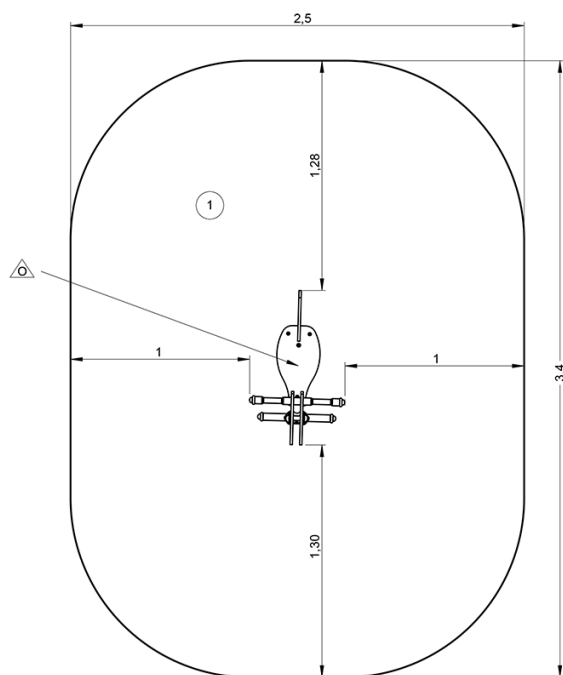
x1



## Installation of equipment

**IMPORTANT:** It is essential to refer to the installation instructions for information on the size of the safety areas.

**————** Impact area (minimum normative surface)

**- - - -** Free space



		
1	0,6m	8m <sup>2</sup>



1



01h00



0m<sup>3</sup>



8m<sup>2</sup>



27kg



10kg

