



1-5



1



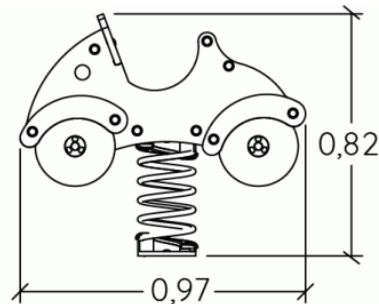
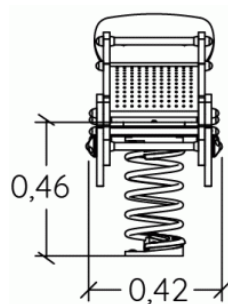
0,6m



1 = 0,97m
2 = 0,42m
3 = 0,82m



Physical inclusion
Sensory inclusion
Cognitive inclusion



Play value :

3

role play



x1

balancing



x1


Oscillate



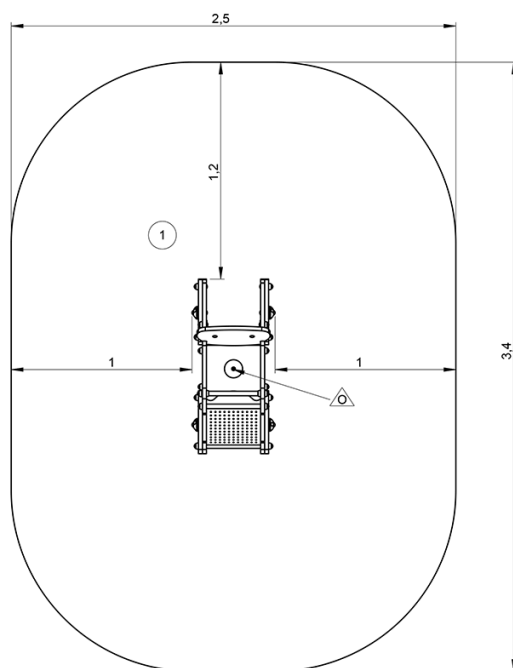
x1



Installation of equipment

IMPORTANT: It is essential to refer to the installation instructions for information on the size of the safety areas.

 Impact area (minimum normative surface)

 Free space



| | | |
|---|---|---|
| |  |  |
| 1 | 0,6m | 7,5m ² |



1



01h15



0m³



7.5m²



39kg



11kg

