



2-8



1



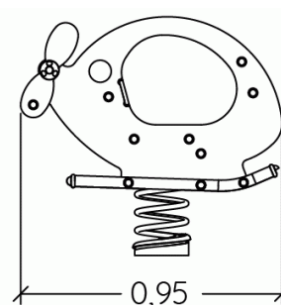
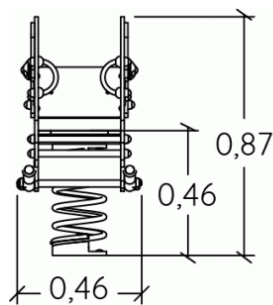
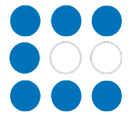
0,6m



1 = 0,95m  
2 = 0,46m  
3 = 0,87m



Physical inclusion  
Sensory inclusion  
Cognitive inclusion



Play value :

4

role play



x1

meeting



x1

balancing



x1


Oscillate



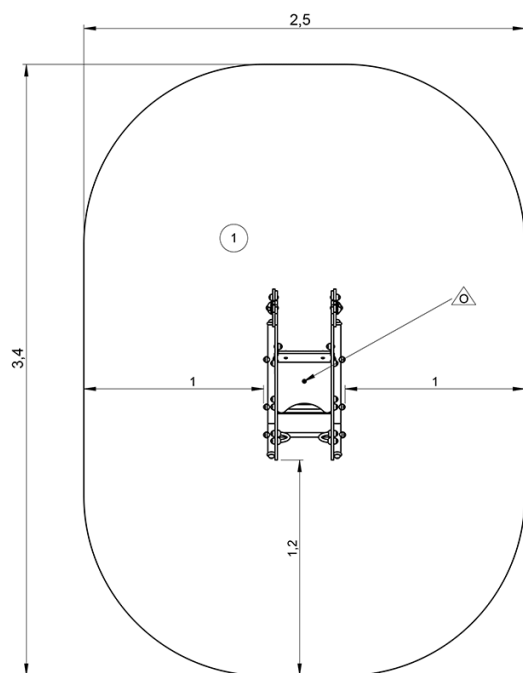
x1

## Installation of equipment

**IMPORTANT:** It is essential to refer to the installation instructions for information on the size of the safety areas.

 Impact area (minimum normative surface)

 Free space



1	0,6m	7,5m <sup>2</sup>
---	------	-------------------



1



01h15



0m<sup>3</sup>



7.5m<sup>2</sup>



38kg



11kg

EN

1176