



2-8



1



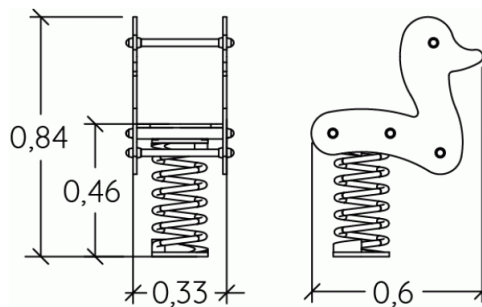
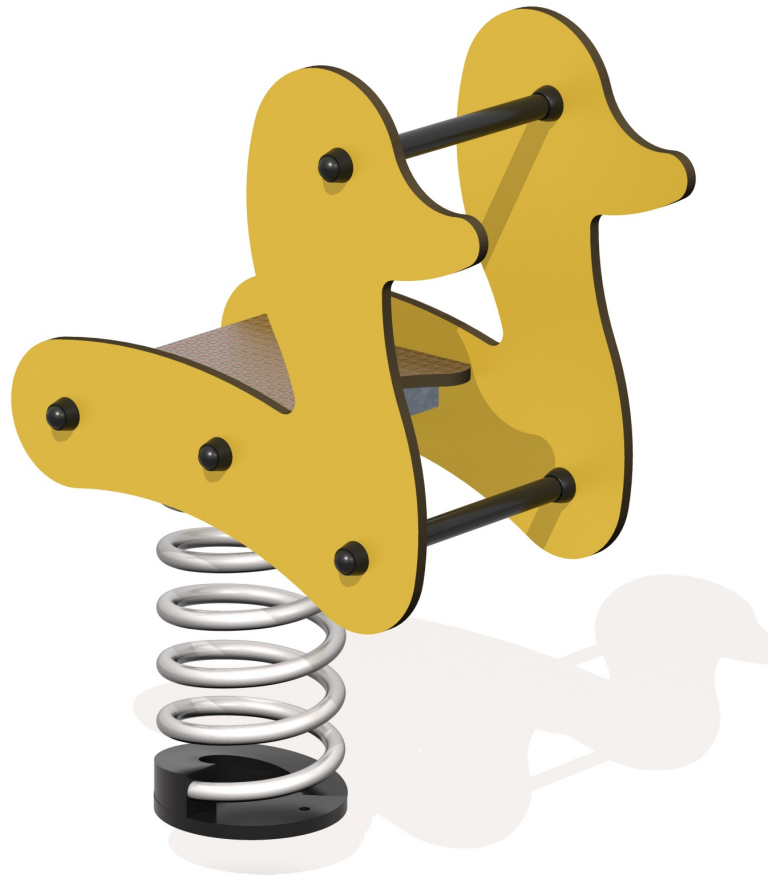
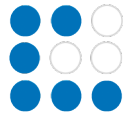
0,6m



1 = 0,6m  
2 = 0,33m  
3 = 0,84m



Physical inclusion  
Sensory inclusion  
Cognitive inclusion



Play value :

3

role play



x1

balancing



x1


Oscillate



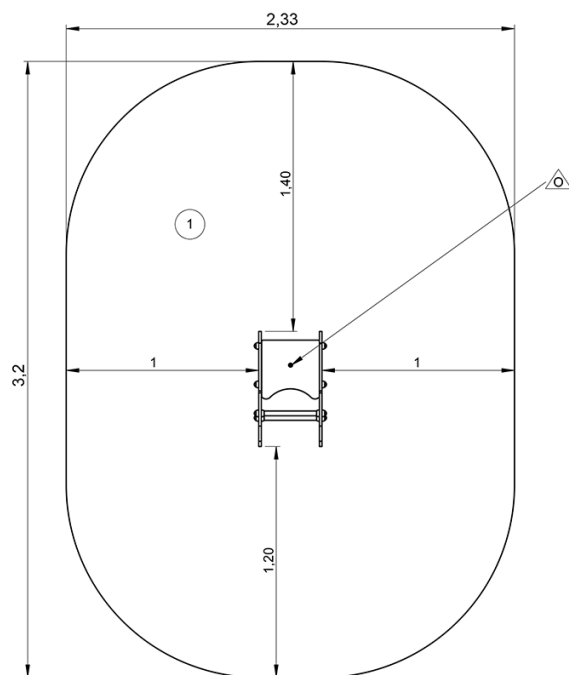
x1



## Installation of equipment

**IMPORTANT:** It is essential to refer to the installation instructions for information on the size of the safety areas.

 Impact area (minimum normative surface)

 Free space



		
1	0,6,m	7m <sup>2</sup>



1

01h00

0m<sup>3</sup>

7m<sup>2</sup>

26kg

11kg

EN

1176