



2+



2



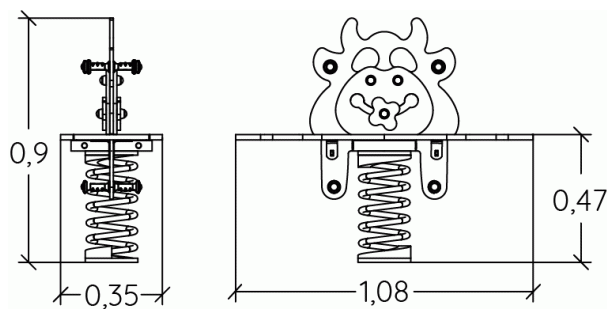
0,6m



1 = 1,08m
2 = 0,35m
3 = 0,9m



Physical inclusion
Sensory inclusion
Cognitive inclusion



Play value :

4

role play



x1

meeting



x1

balancing



x1

Oscillate



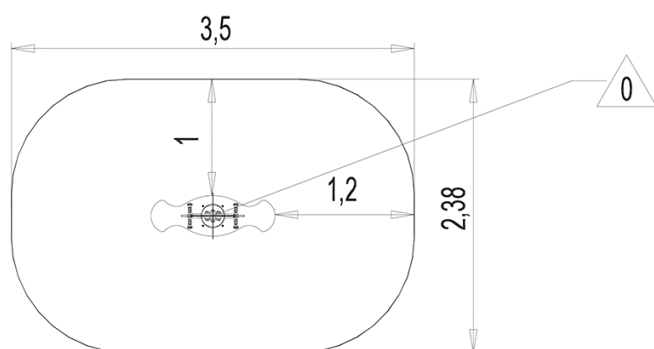
x1



Installation of equipment

IMPORTANT: It is essential to refer to the installation instructions for information on the size of the safety areas.

———— Impact area (minimum normative surface)

- - - - - Free space



		
1	0,6m	7m ²



1

01h00

0m³

7.5m²

32kg

11kg

EN

1176