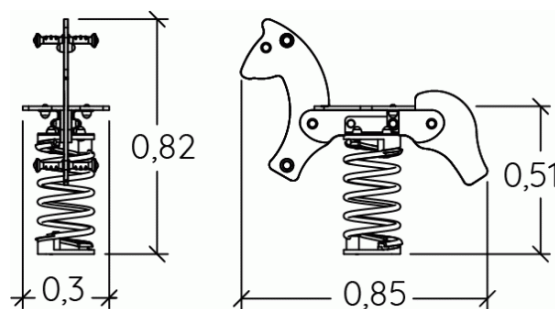
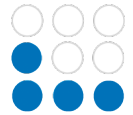


Physical inclusion
Sensory inclusion
Cognitive inclusion



Play value : **3**

role play



x1

balancing



x1

Oscillate



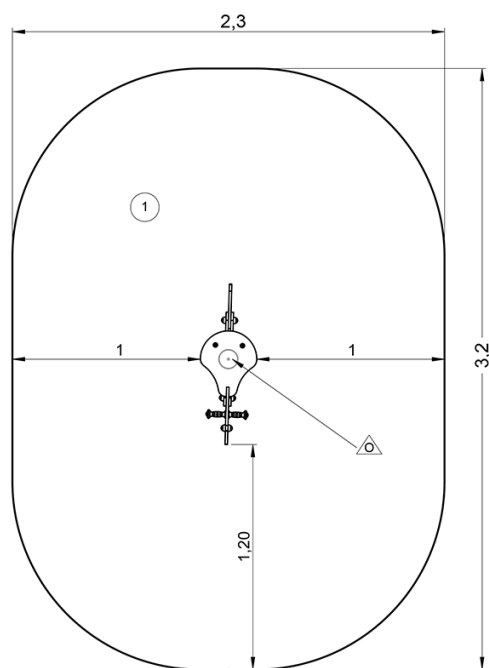
x1



Installation of equipment

IMPORTANT: It is essential to refer to the installation instructions for information on the size of the safety areas.

———— Impact area (minimum normative surface)

- - - - Free space



| | | |
|---|---|---|
| |  |  |
| 1 | 0,6m | 6,6m ² |



2



0m³



6.5m²



24kg



10kg

