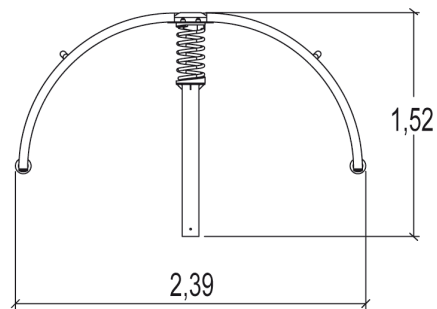
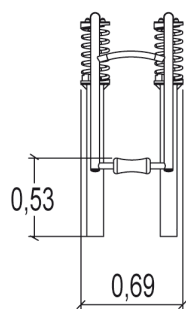


Physical inclusion
Sensory inclusion
Cognitive inclusion



If installed onto wetpour safer surfacing, we recommend a NON-FINES CONCRETE BASE.



Play value : 4

role play



x1

meeting



x1

balancing



x1



Oscillate

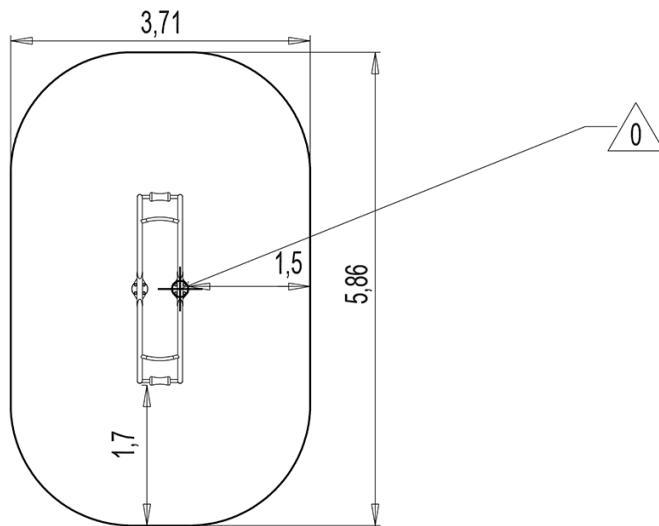




x1

Installation of equipment

IMPORTANT: It is essential to refer to the installation instructions for information on the size of the safety areas.

-  Impact area (minimum normative surface)
-  Free space



		
1	1m	20m ²



2



04h00



0.35m³



20m²



107kg



59kg

