


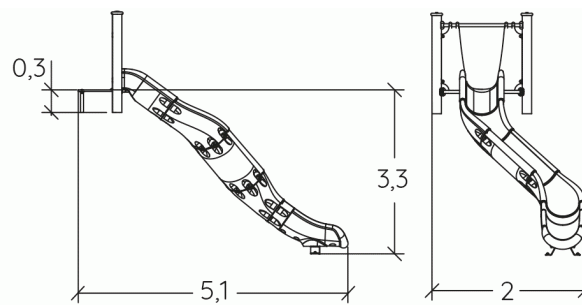
 **2+**
 **3**
 **1m**



1 = 5,12m
2 = 2,05m
3 = 4,3m



Physical inclusion
 Sensory inclusion
 Cognitive inclusion



Play value : **2**

sliding

meeting





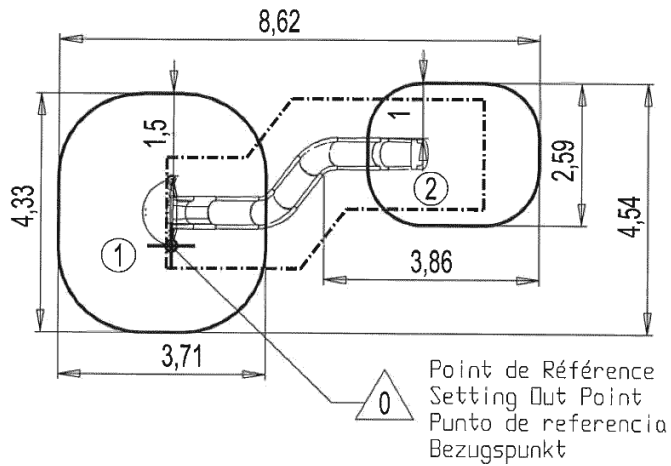
x1

x1

Installation of equipment

IMPORTANT: It is essential to refer to the installation instructions for information on the size of the safety areas.

-  Impact area (minimum normative surface)
-  Free space



1	<0,6m	14,5m ²
2	1m	7,5m ²



2



06h00



0.3m³



22m²



192kg



20kg

