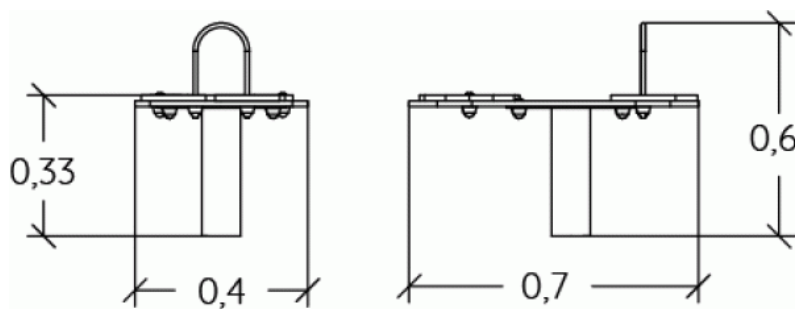


Physical inclusion  
Sensory inclusion  
Cognitive inclusion





Play value :

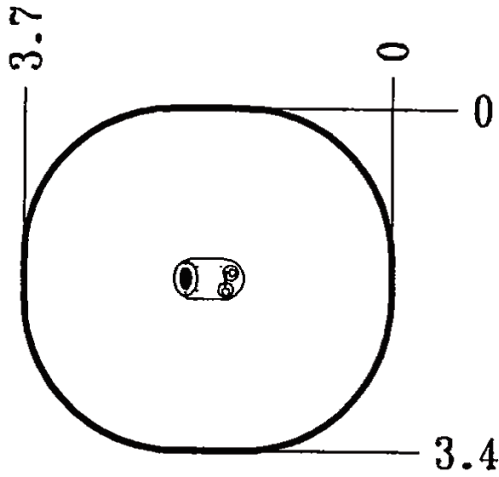
6



role play	meeting	handling	tactile stimulation
x1	x1	x2	x2

## Installation of equipment

**IMPORTANT:** It is essential to refer to the installation instructions for information on the size of the safety areas.

-  Impact area (minimum normative surface)
-  Free space



		
1	0m	11m <sup>2</sup>



1



00h30



0.05m<sup>3</sup>



11m<sup>2</sup>



15kg



10kg

