



6+



11



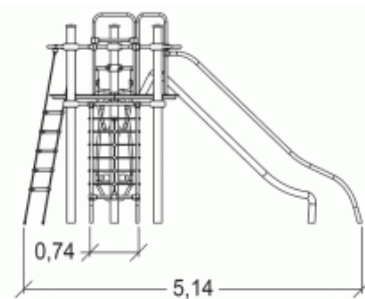
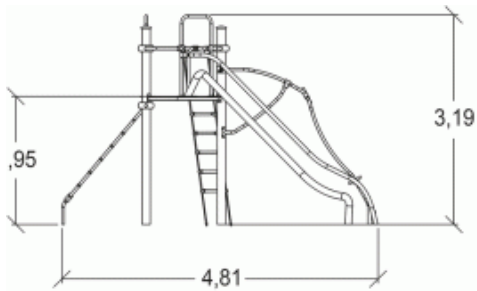
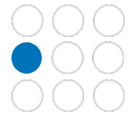
1,95m



1 = 5,14m
2 = 4,81m
3 = 3,19m



Physical inclusion
Sensory inclusion
Cognitive inclusion



Play value : **7**

sliding



x1

meeting



x1

balancing



x2

rotating



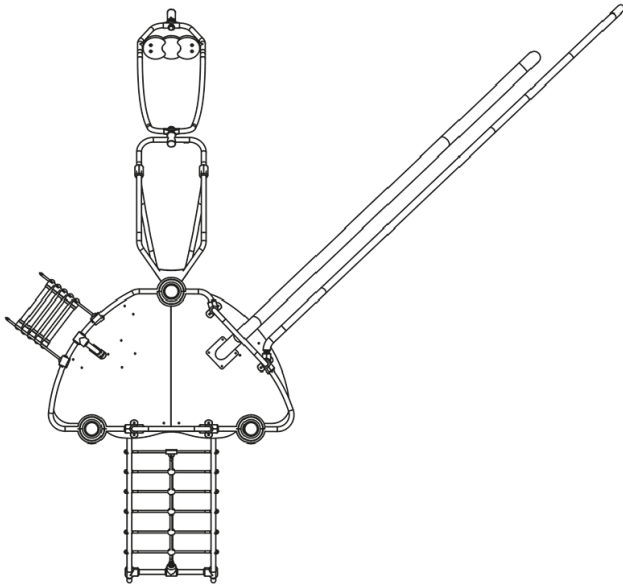
x1

climbing



x2



Components

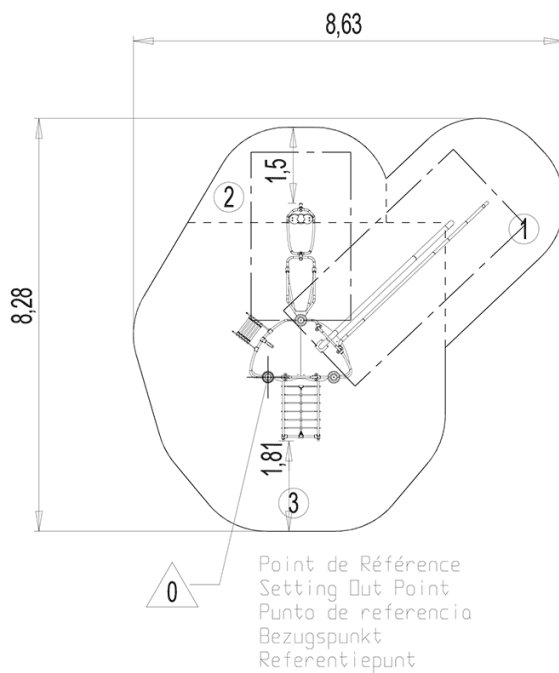


- ① Turbo Slide
- ② Incline net
- ③ Rope ladder
- ④ Tour Epsilon
- ⑤ Gyro

Installation of equipment

IMPORTANT: It is essential to refer to the installation instructions for information on the size of the safety areas.

-  Impact area (minimum normative surface)
-  Free space



1	0,60m	9,5m ²
2	0,70m	6m ²
3	1,00m	34m ²



2

14h30

0.43m³

49.5m²

274kg

65kg

EN

1176