



8+



15



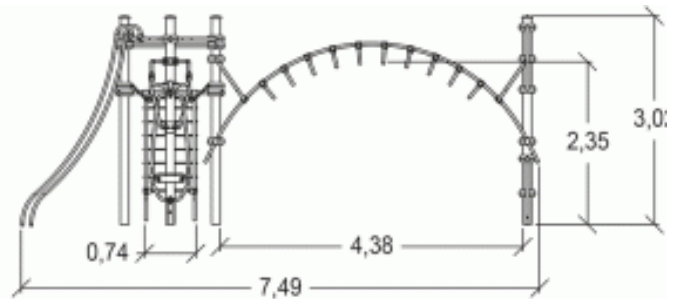
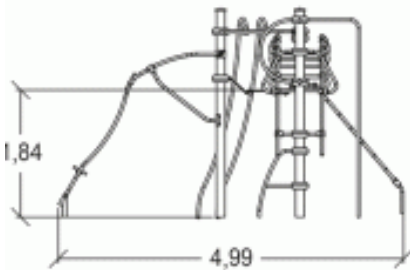
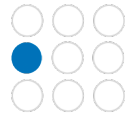
2,4m



1 = 7,92m  
2 = 4,99m  
3 = 3m



Physical inclusion  
Sensory inclusion  
Cognitive inclusion



Play value :

9

sliding



x2

meeting



x1

hanging



x1

balancing



x1

rotating



x1

climbing



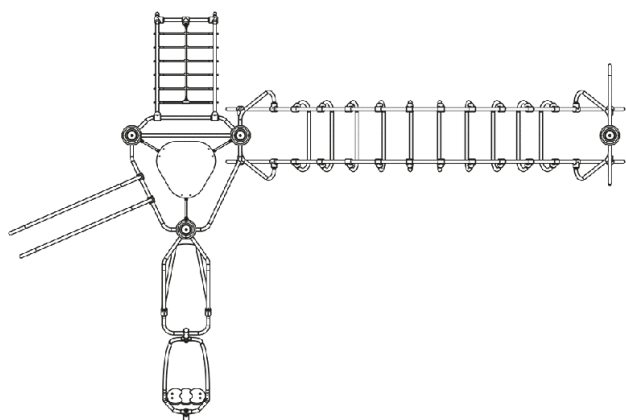
x2

getting across



x1

## Components

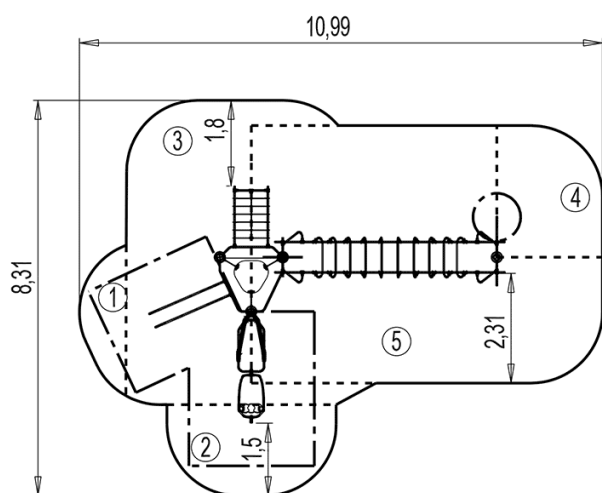


- ① Tour Delta
- ② Gyro
- ③ Speed slide
- ④ Delta Incline net
- ⑤ Great arch
- ⑥ Parrot mast

## Installation of equipment

**IMPORTANT:** It is essential to refer to the installation instructions for information on the size of the safety areas.

- Impact area (minimum normative surface)
- Free space



Point de Référence  
Setting Out Point  
Punto de referencia  
Bezugspunkt  
Referentiepunt



1	0,60m	4m <sup>2</sup>
2	0,70m	6m <sup>2</sup>
3	1,95m	18,5m <sup>2</sup>
4	2m	6m <sup>2</sup>
5	2,4m	33m <sup>2</sup>



2



14h00



0.4m<sup>3</sup>



67.5m<sup>2</sup>



239kg



54kg

EN

1176