



8+



20



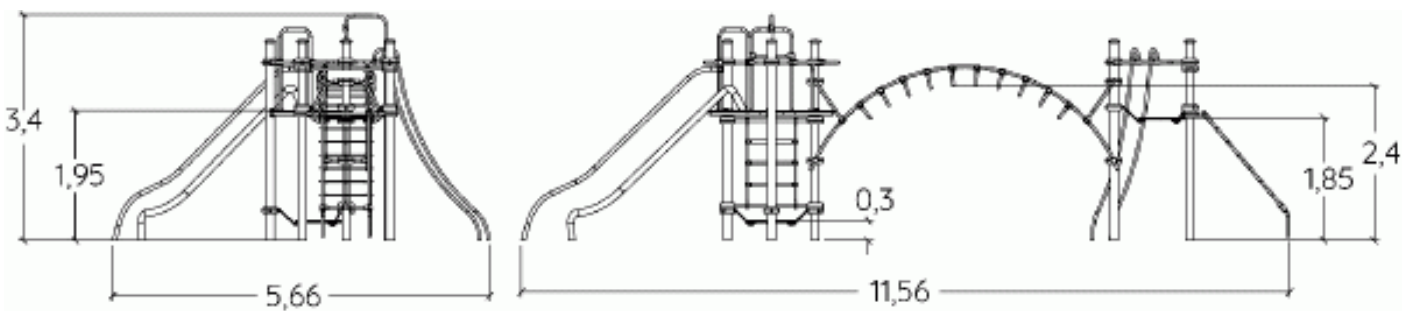
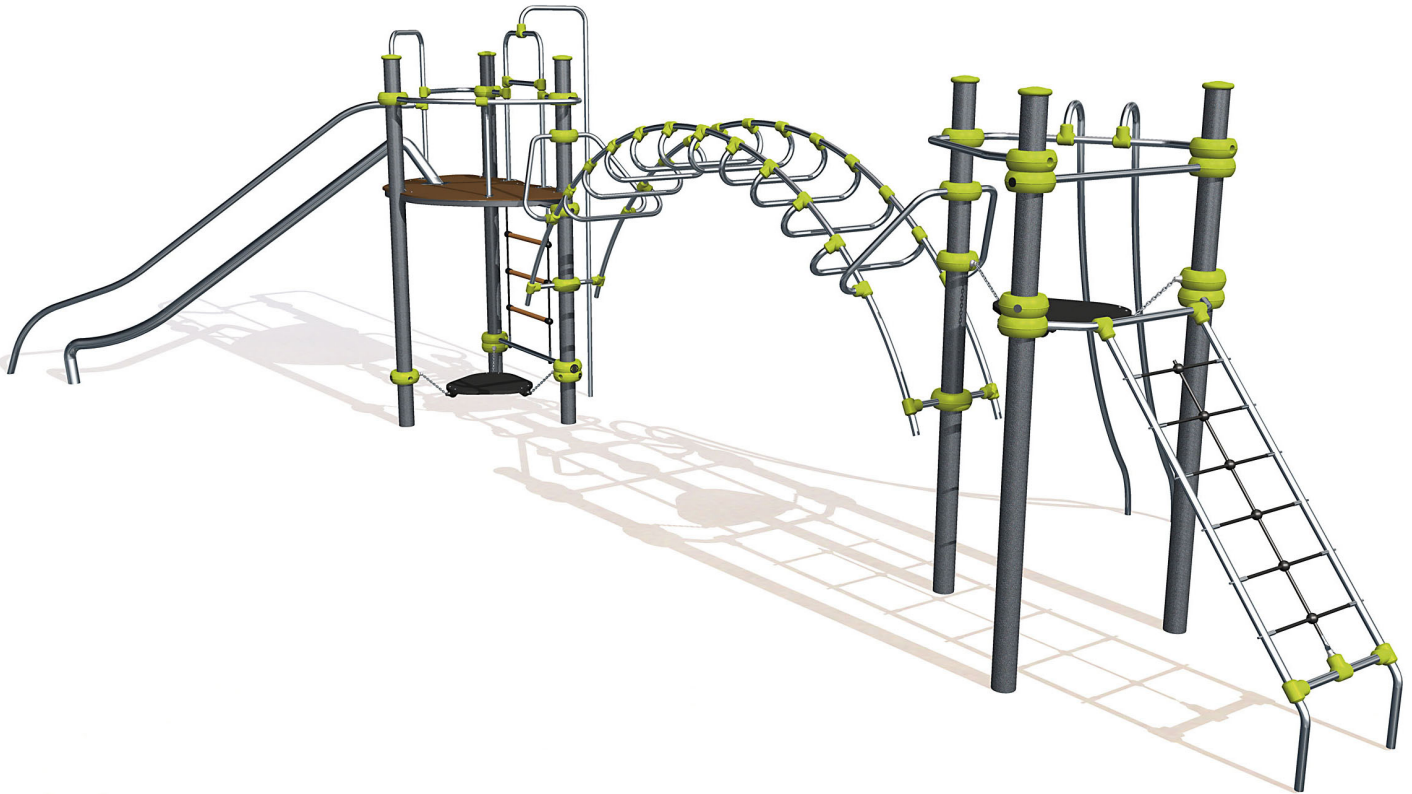
2,4m



1 = 11,56m  
2 = 5,66m  
3 = 3,4m



Physical inclusion  
Sensory inclusion  
Cognitive inclusion



Play value : **11**

sliding



x3

meeting



x2

resting



x1

hanging



x1

balancing



x1

climbing



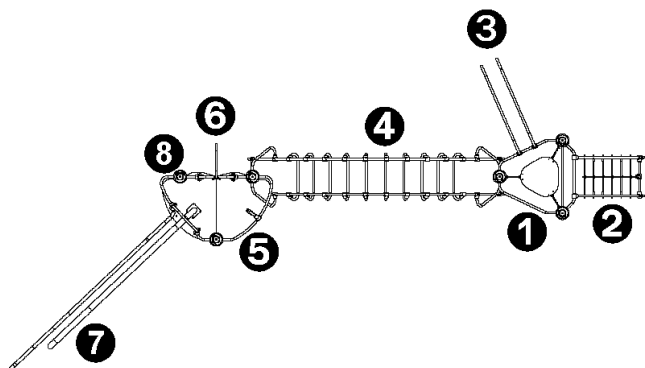
x2

getting across



x1



## Components

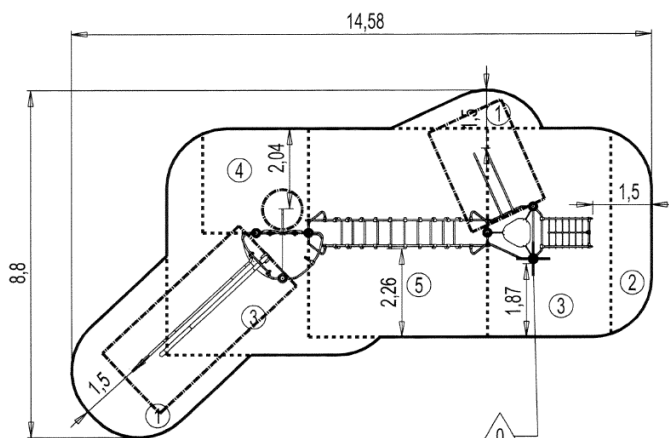


- ① Tour Delta
- ② Incline net
- ③ Speed slide
- ④ Great arch
- ⑤ Tour Epsilon
- ⑥ Fireman's pole
- ⑦ Turbo Slide
- ⑧ Suspended platform
- ⑨ Echelle droite delta

## Installation of equipment

**IMPORTANT:** It is essential to refer to the installation instructions for information on the size of the safety areas.

-  Impact area (minimum normative surface)
-  Free space



Point de Référence  
Setting Out Point  
Punto de referencia  
Bezugspunkt  
Referentiepunt



1	0,6m	12m <sup>2</sup>
2	1,95m	36m <sup>2</sup>
3	2,2m	7m <sup>2</sup>
4	2,4m	24m <sup>2</sup>



2



18h45



0.6m<sup>3</sup>



79m<sup>2</sup>



398kg



65kg

EN

1176