



6+



22



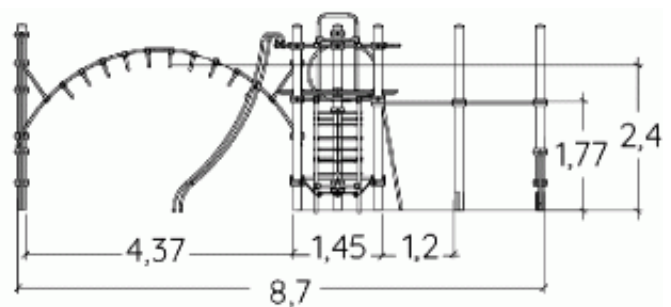
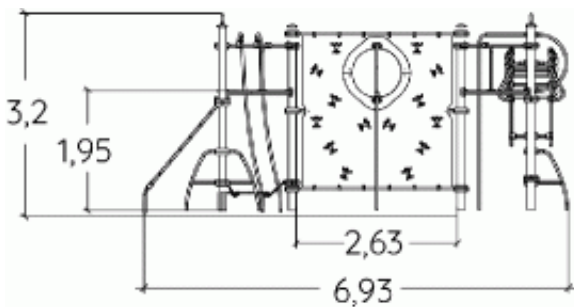
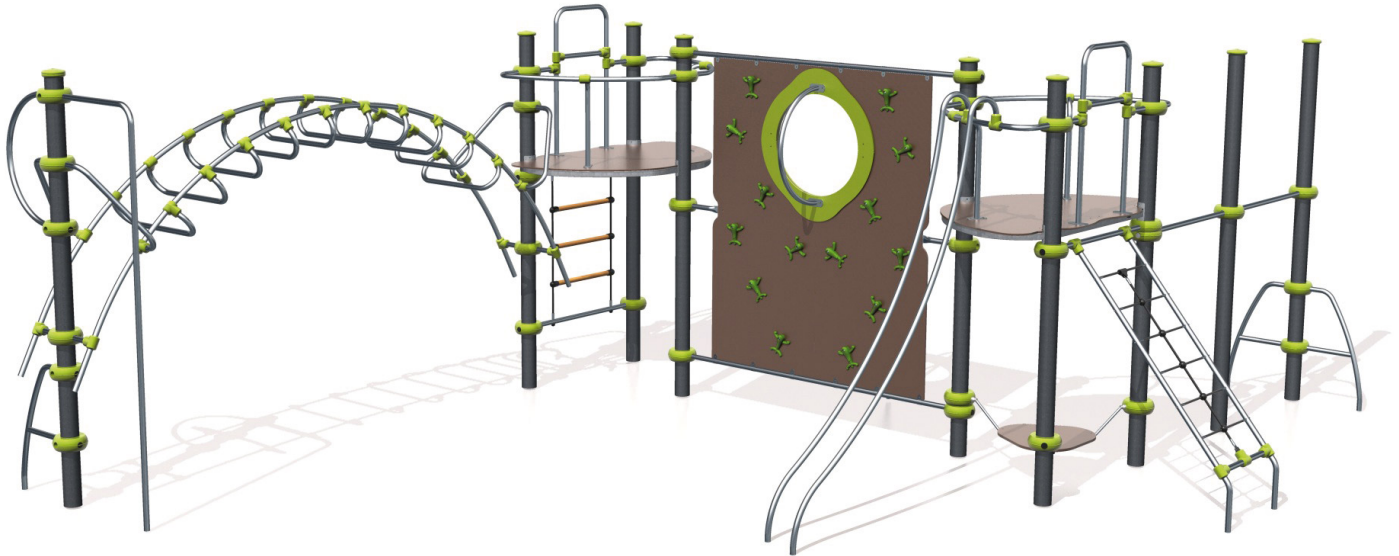
2,9m



1 = 8,68m
2 = 6,93m
3 = 3,2m



Physical inclusion
Sensory inclusion
Cognitive inclusion



Play value : **16**

climbing



x1

sliding



x3

meeting



x2

resting



x1

hanging



x3

balancing



x1

climbing



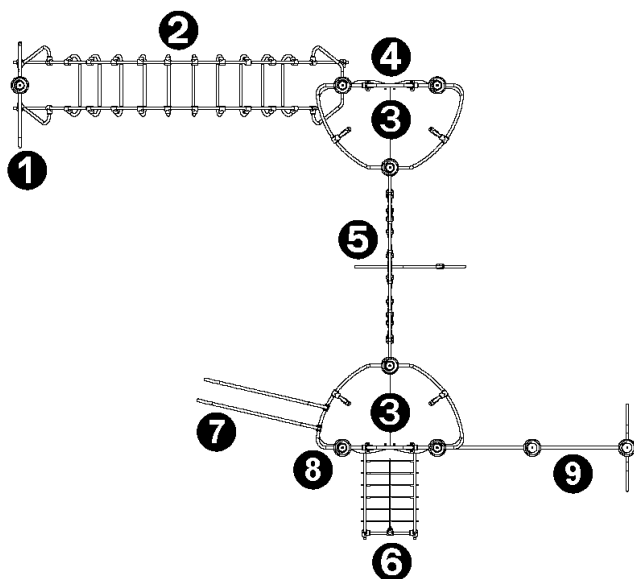
x3

getting across



x2

Components

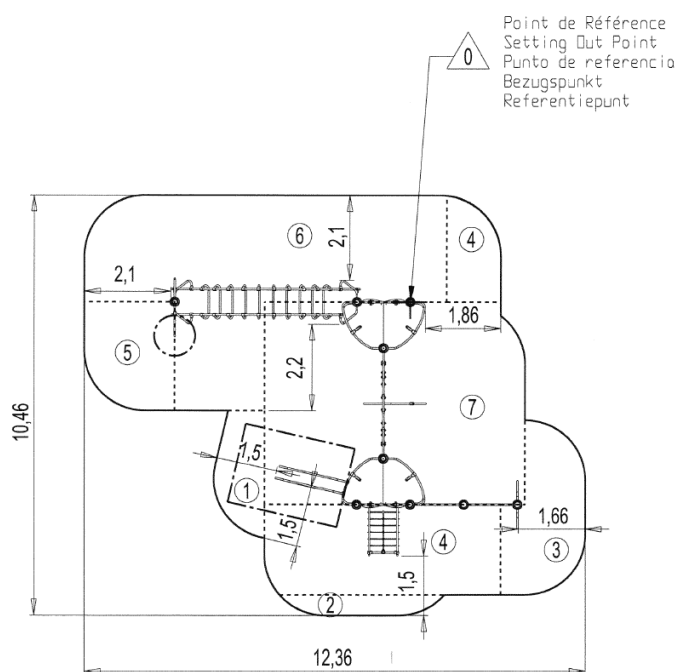


- ❶ Parrot mast
- ❷ Great arch
- ❸ Tour Gamma
- ❹ Echelle droite delta
- ❺ Climbing wall
- ❻ Incline net
- ❼ Speed slide
- ❽ Suspended platform
- ❾ Barre fixe

Installation of equipment

IMPORTANT: It is essential to refer to the installation instructions for information on the size of the safety areas.

- Impact area (minimum normative surface)
- Free space



Point de Référence
Setting Out Point
Punto de referencia
Bezugspunkt
Referentiepunt



1	0,6m	3,5m ²
2	1,75m	7m ²
3	1,95m	20m ²
4	2m	5,5m ²
5	2,4m	29,5m ²
6	2,9m	32,5m ²



2

15h00

0.5m³

98m²

562kg

54kg

EN

1176