



8+



20



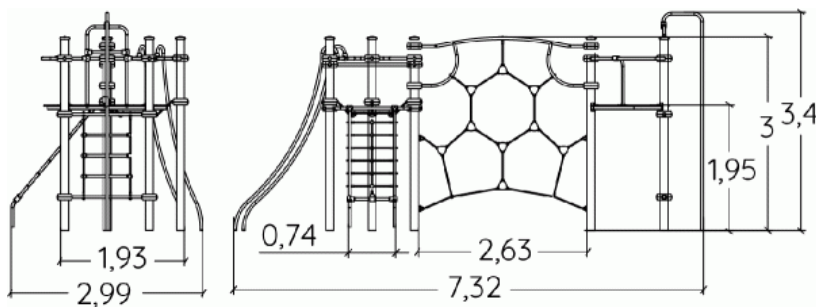
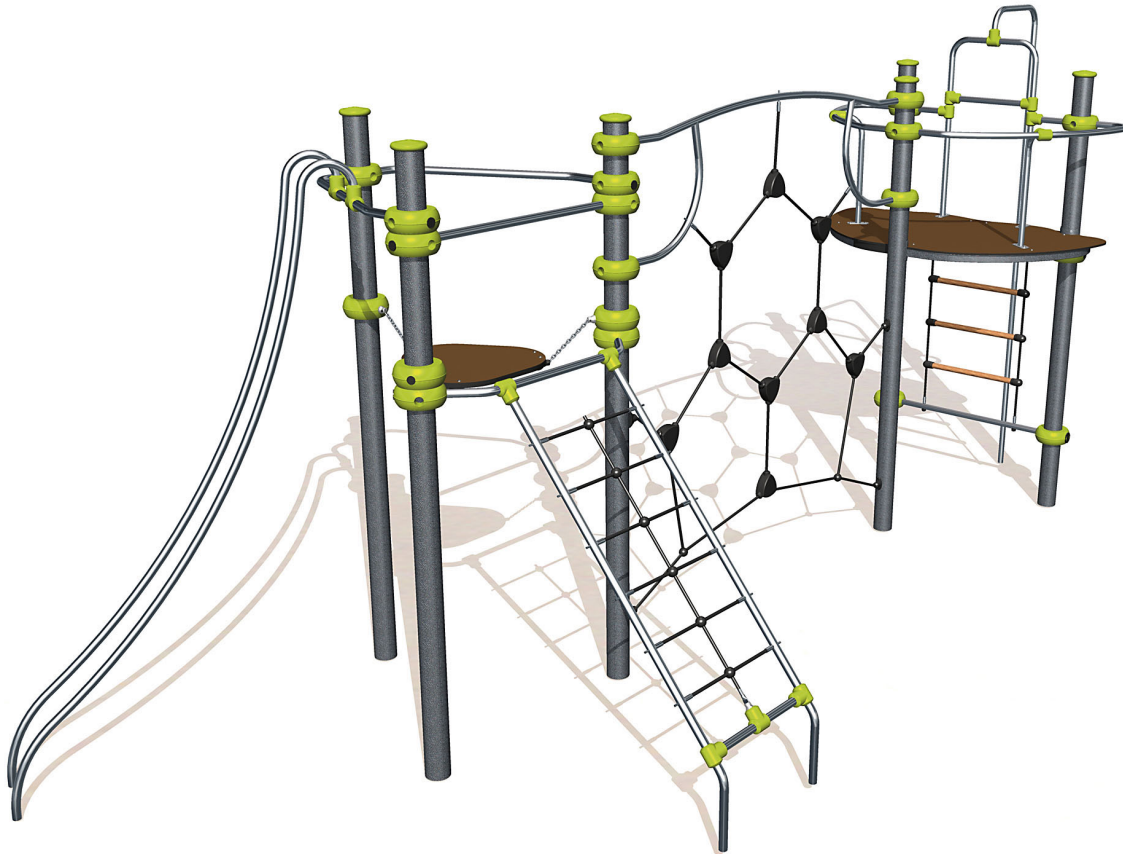
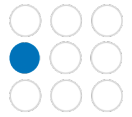
3m



1 = 7,32m
2 = 2,99m
3 = 3,4m



Physical inclusion
Sensory inclusion
Cognitive inclusion



Play value :

8

sliding



x2

meeting



x2

climbing



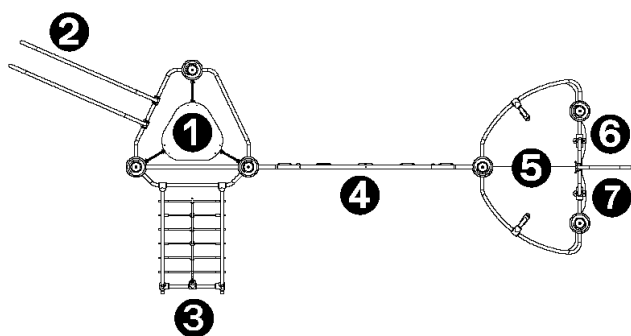
x3

getting across



x1



Components

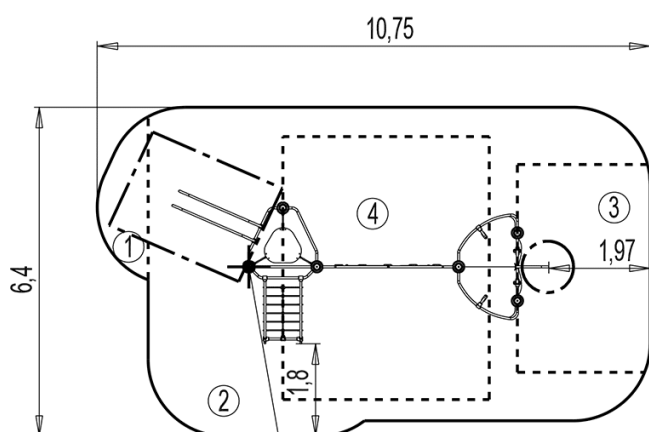


- ① Tour Delta
- ② Speed slide
- ③ Delta Incline net
- ④ Net IXO
- ⑤ Tour Gamma
- ⑥ Echelle droite delta
- ⑦ Fireman's pole

Installation of equipment

IMPORTANT: It is essential to refer to the installation instructions for information on the size of the safety areas.

-  Impact area (minimum normative surface)
-  Free space



Point de Référence
Setting Out Point
Punto de referencia
Bezugspunkt
Referentiepunt



1	0,6m	2,5m ²
2	1,95m	28,5m ²
3	2,2m	10,5m ²
4	3m	20,5m ²



2



20h00



0.72m³



62m²



248kg



15kg

EN

1176