



8+



14



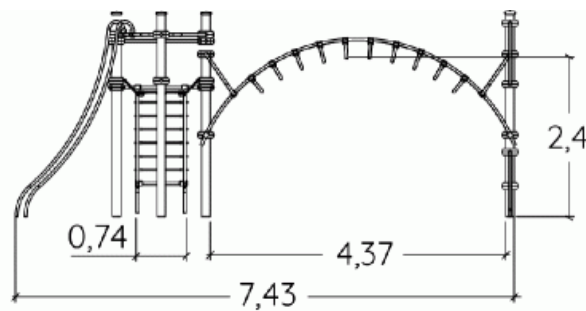
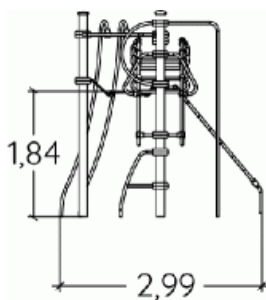
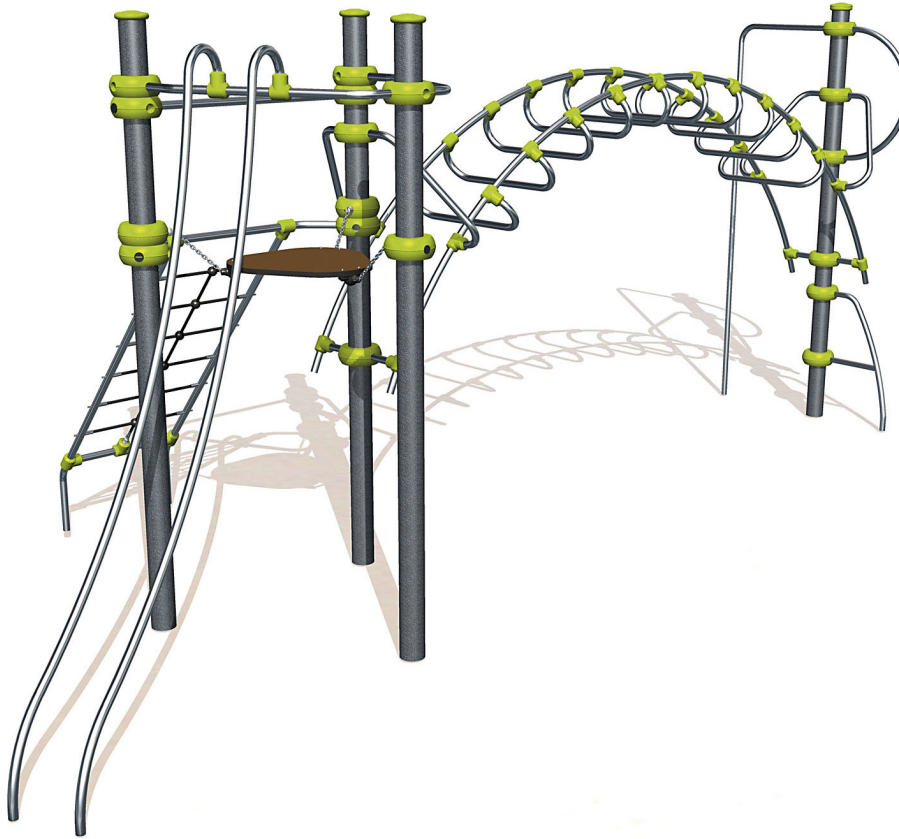
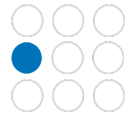
2,4m



1 = 7,43m
2 = 2,99m
3 = 3m



Physical inclusion
Sensory inclusion
Cognitive inclusion



Play value : **7**

sliding



x2

meeting



x1

hanging



x1

climbing



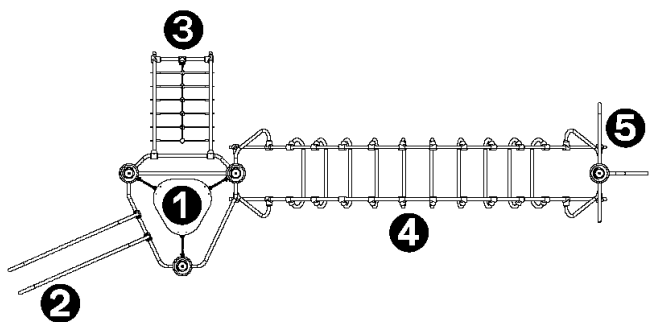
x2

getting across



x1

Components

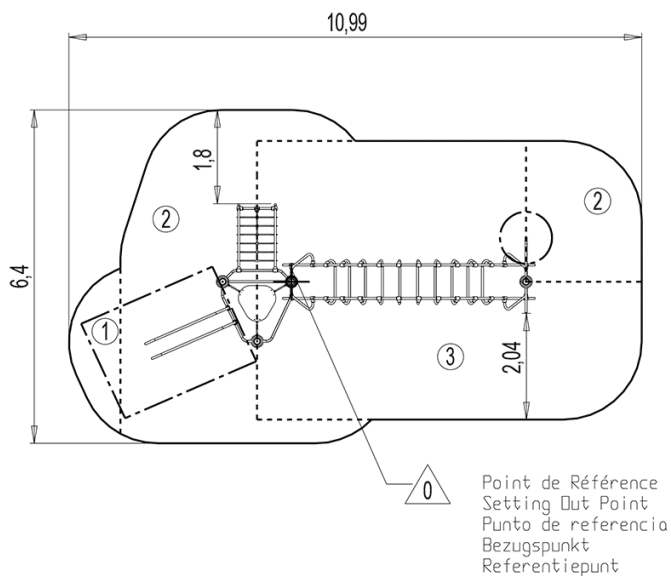


- ❶ Tour Delta
- ❷ Speed slide
- ❸ Delta Incline net
- ❹ Great arch
- ❺ Parrot mast

Installation of equipment

IMPORTANT: It is essential to refer to the installation instructions for information on the size of the safety areas.

- Impact area (minimum normative surface)
- Free space



1	0,6m	2m ²
2	1,95m	23m ²
3	2,4m	33m ²



2



16h00



0.4m³



58m²



194kg



54kg

