



8+



19



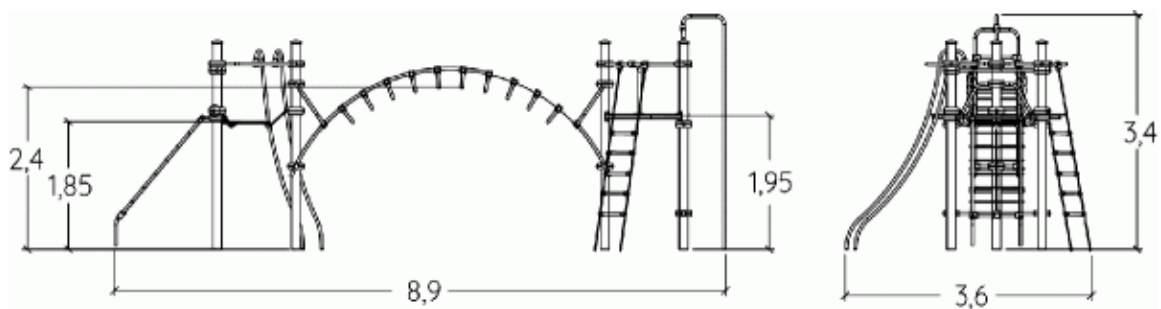
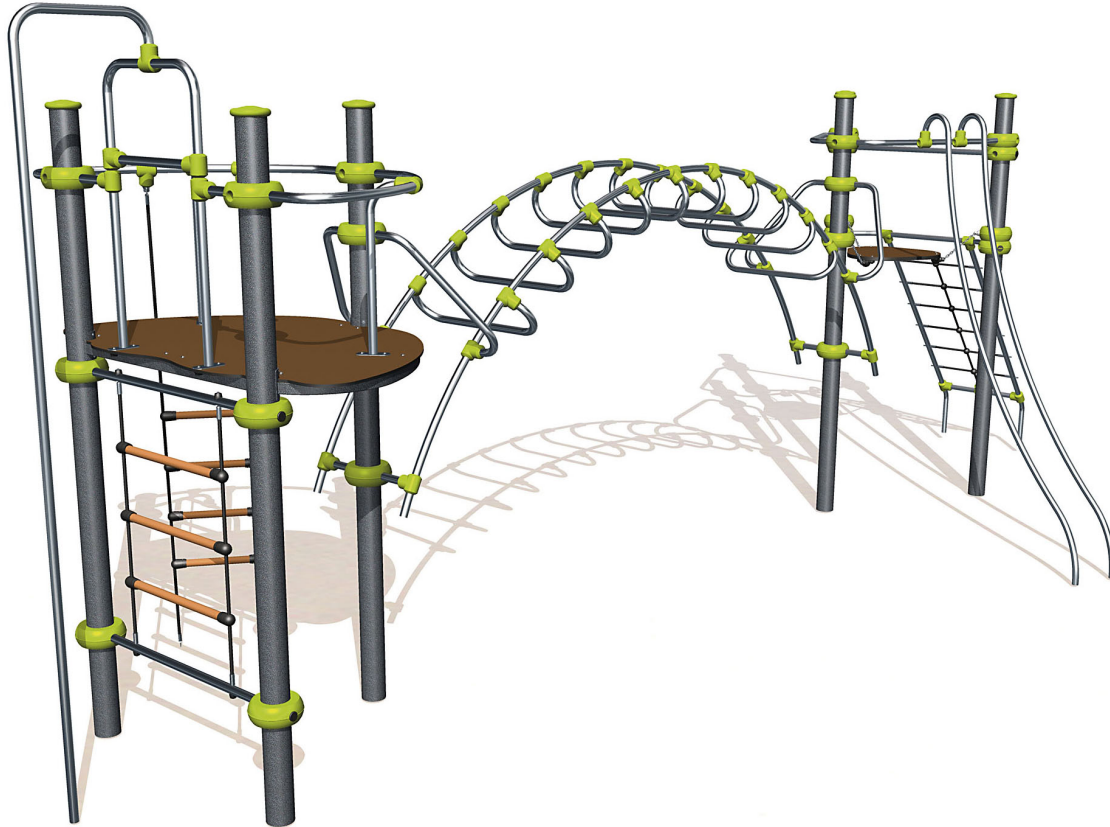
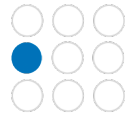
2,4m



1 = 8,89m  
2 = 3,54m  
3 = 3,4m



Physical inclusion  
Sensory inclusion  
Cognitive inclusion



Play value : **10**

sliding



x2

meeting



x2

hanging



x1

balancing



x1

climbing



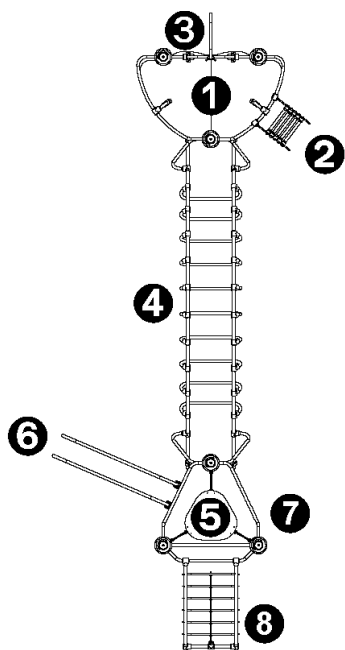
x3

getting across



x1



## Components

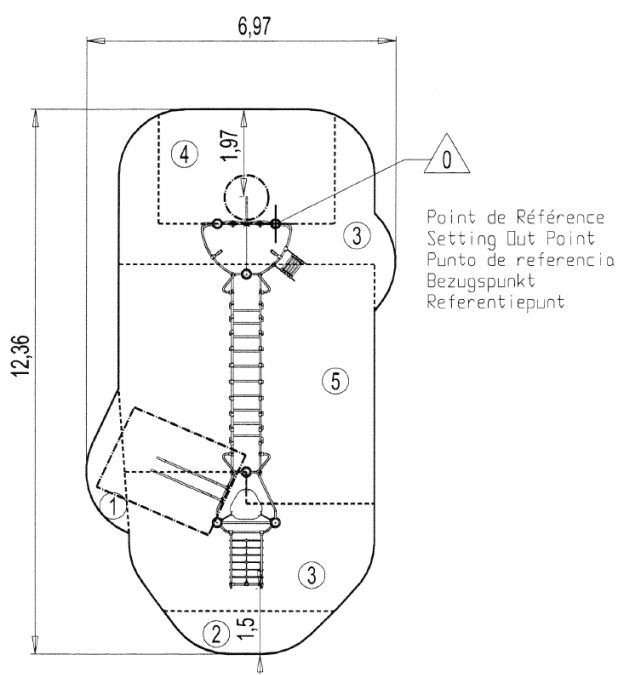


- ① Tour Gamma
- ② Echelle droite delta
- ③ Fireman's pole
- ④ Parrot spring bar
- ⑤ Great arch
- ⑥ Tour Delta
- ⑦ Speed slide
- ⑧ Rope ladder
- ⑨ Delta Incline net

## Installation of equipment

**IMPORTANT:** It is essential to refer to the installation instructions for information on the size of the safety areas.

-  Impact area (minimum normative surface)
-  Free space



	Person	Equipment
1	0,60m	2m <sup>2</sup>
2	1,95m	29,5m <sup>2</sup>
3	2,2m	10,5m <sup>2</sup>
4	2,4m	29,5m <sup>2</sup>



2

19h00

0.5m<sup>3</sup>

71.5m<sup>2</sup>

303kg

54kg

EN

1176