



6+



1



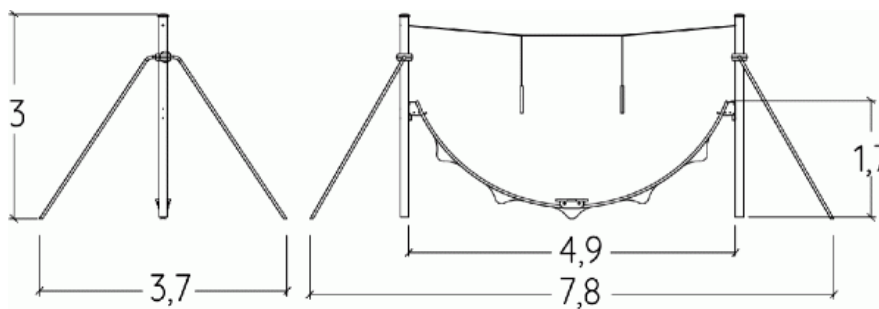
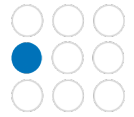
1,5m



1 = 7,8m
2 = 3,7m
3 = 3m



Physical inclusion
Sensory inclusion
Cognitive inclusion



Play value : **5**

sliding



x1

meeting



x1

hanging



x1

swinging



x1



balancing

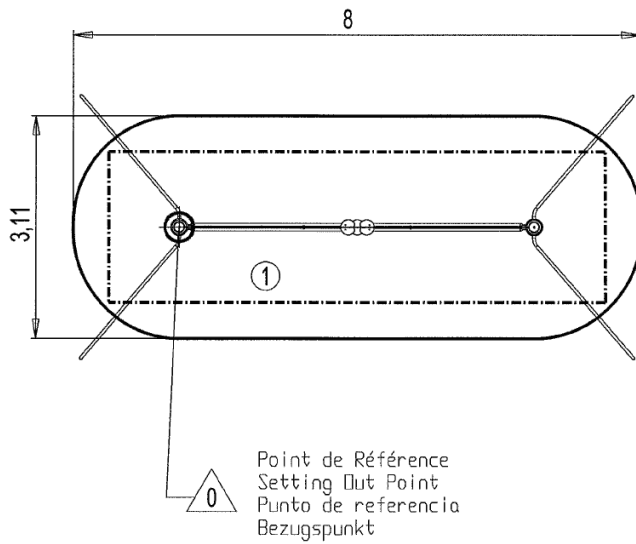




x1

Installation of equipment

IMPORTANT: It is essential to refer to the installation instructions for information on the size of the safety areas.

-  Impact area (minimum normative surface)
-  Free space



		
1	1,50m	23m ²



2



08h00



0.23m³



23m²



111kg



48kg

