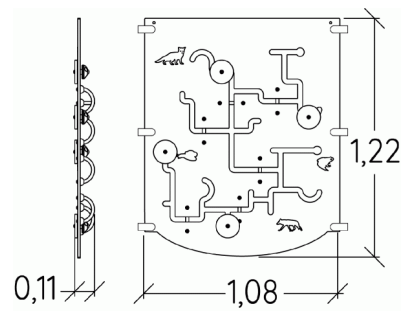
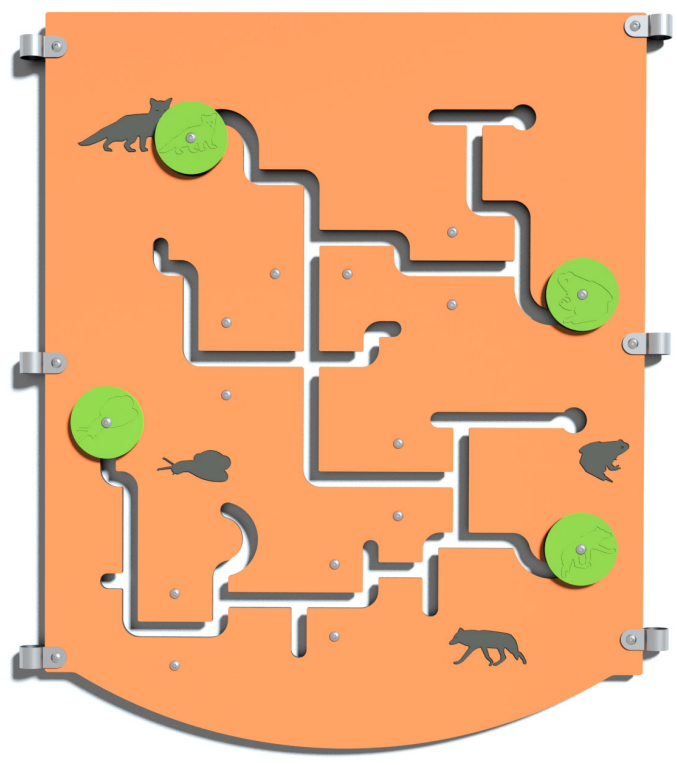


Physical inclusion  
Sensory inclusion  
Cognitive inclusion



Installed on G3423/G3426 posts




**Play value :**      **5**

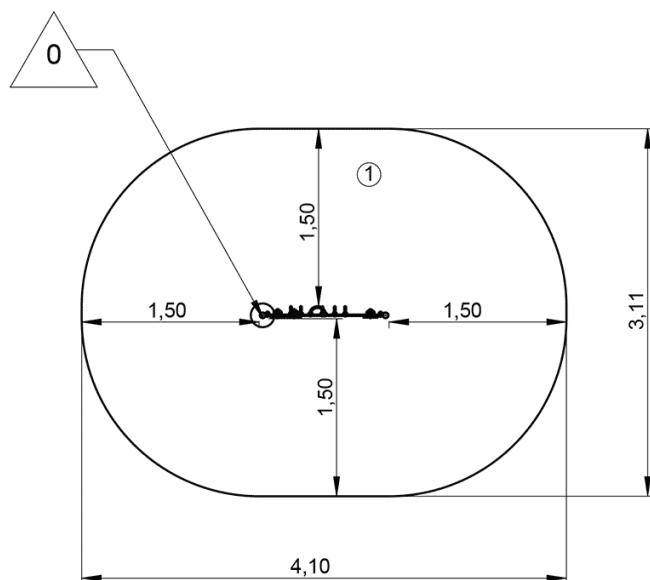
role play	meeting	handling	thinking	tactile stimulation
<b>x1</b>	<b>x1</b>	<b>x1</b>	<b>x1</b>	<b>x1</b>



## Installation of equipment

**IMPORTANT:** It is essential to refer to the installation instructions for information on the size of the safety areas.

 Impact area (minimum normative surface)

 Free space



		
1	0m	11m <sup>2</sup>



2



00h50



0.1m<sup>3</sup>



11.5m<sup>2</sup>



21kg



20kg

