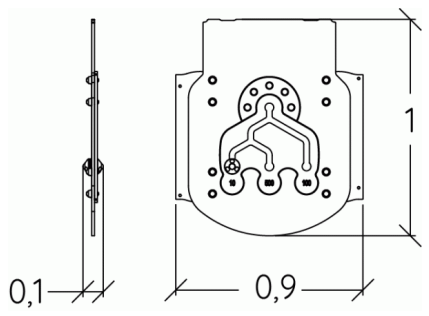
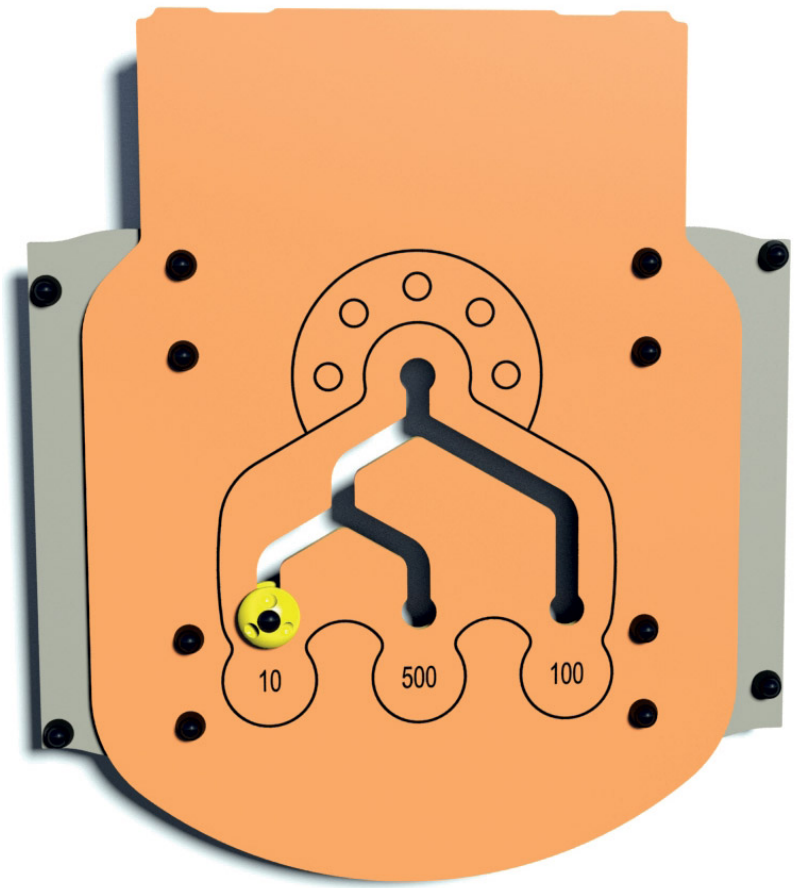


Physical inclusion  
Sensory inclusion  
Cognitive inclusion



Installed on G3421/G3424 posts



**Play value :** **4**

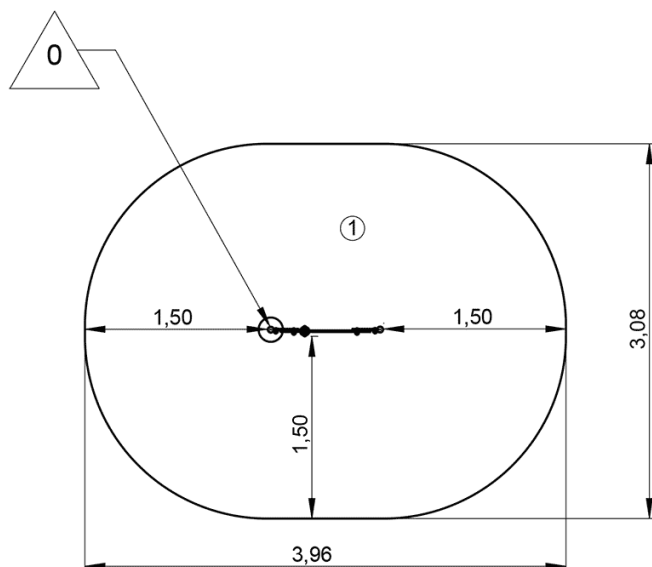
- |           |           |           |                     |
|-----------|-----------|-----------|---------------------|
| meeting   | handling  | thinking  | tactile stimulation |
|           |           |           |                     |
| <b>x1</b> | <b>x1</b> | <b>x1</b> | <b>x1</b>           |

## Installation of equipment

**IMPORTANT:** It is essential to refer to the installation instructions for information on the size of the safety areas.

**—————** Impact area (minimum normative surface)

**- - - - -** Free space



1	0m	10m <sup>2</sup>



2



1h00



0m<sup>3</sup>



10m<sup>2</sup>



17kg



11kg

