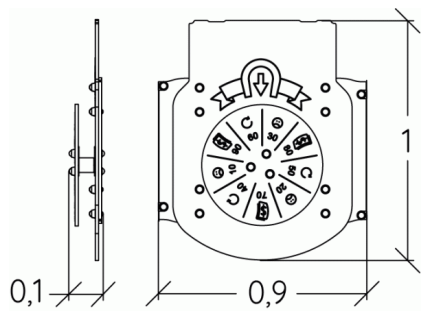
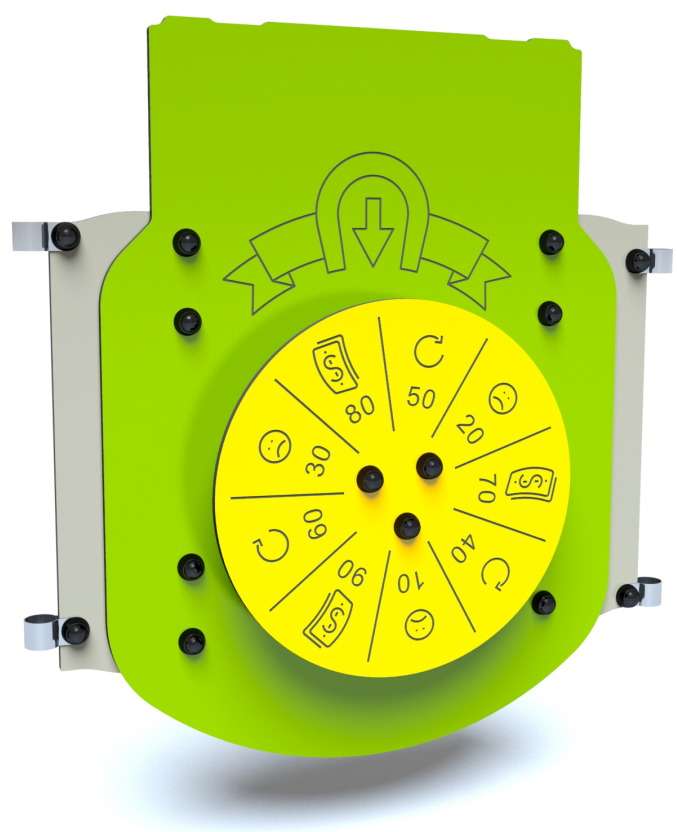


Physical inclusion
Sensory inclusion
Cognitive inclusion



Installed on G3421/G3424 posts



Play value : **4**

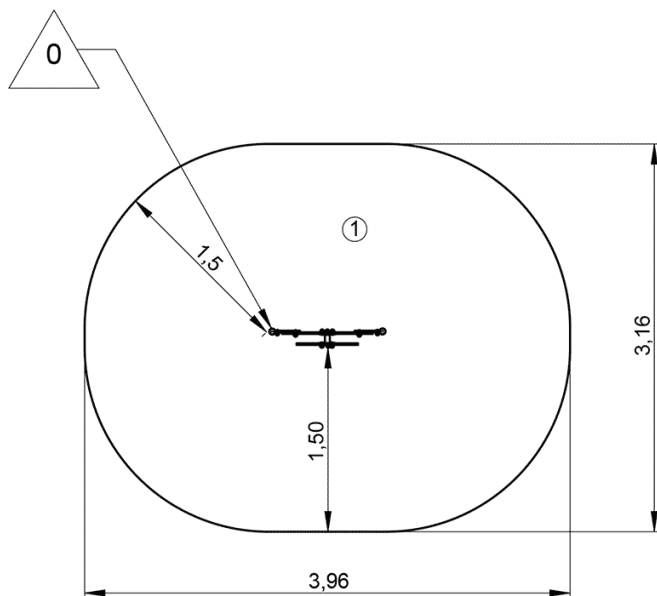
meeting	handling	thinking	tactile stimulation
x1	x1	x1	x1



Installation of equipment

IMPORTANT: It is essential to refer to the installation instructions for information on the size of the safety areas.

————— Impact area (minimum normative surface)

- - - - - Free space



		
1	0m	11m ²



2



1h00



0m³



10.5m²



21kg



11kg

