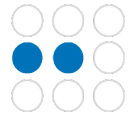
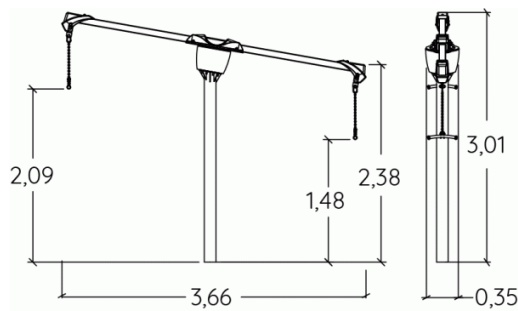


Physical inclusion
Sensory inclusion
Cognitive inclusion



If installed onto wetpour safer surfacing, we recommend a NON-FINES CONCRETE BASE.



Play value : **5**

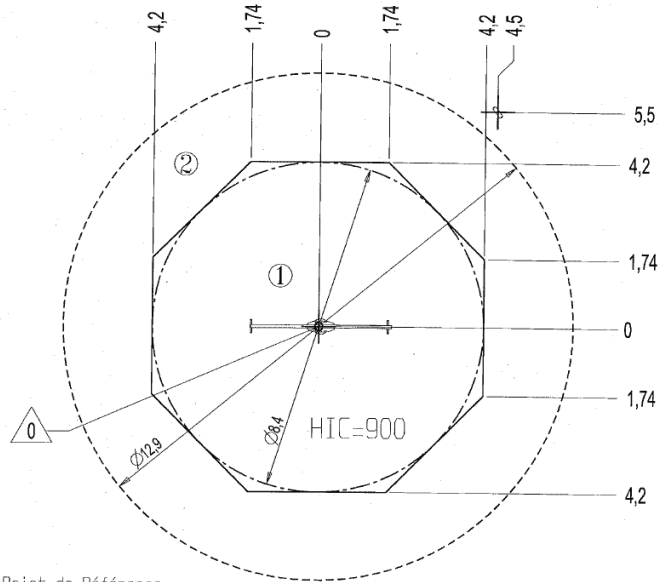
meeting	hanging	swinging	balancing	rotating
x1	x1	x1	x1	x1

Installation of equipment

IMPORTANT: It is essential to refer to the installation instructions for information on the size of the safety areas.

———— Impact area (minimum normative surface)

- - - - - Free space



Point de Référence
Setting Out Point
Punto de referencia
Bezugspunkt



1	0,9m	55m ²
2	<0,6m	76m ²



2



03h00



0.6m³



59m²



190kg



115kg

