
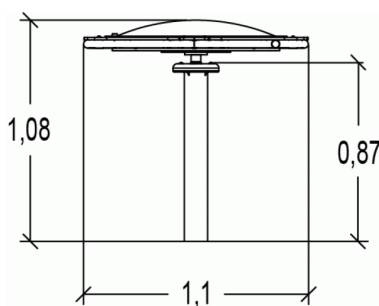


 **8+**  
 **4**  
 **0m**


  
 1 = 1,1m  
 2 = 1,1m  
 3 = 1,08m



Physical inclusion  
Sensory inclusion  
Cognitive inclusion



**Play value :** **3**

meeting



x1

handling



x1

thinking



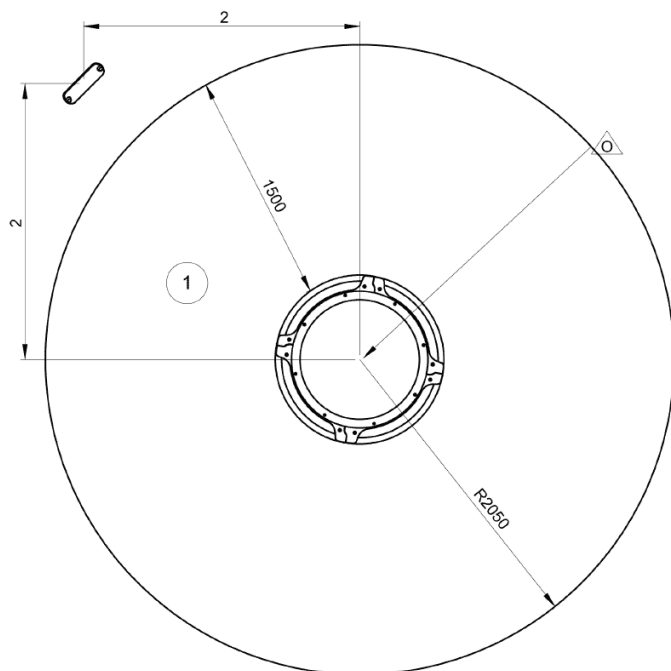
x1

## Installation of equipment

**IMPORTANT:** It is essential to refer to the installation instructions for information on the size of the safety areas.

**—————** Impact area (minimum normative surface)

**- - - - -** Free space



1	0m	13,5m <sup>2</sup>



1



01h00



0.15m<sup>3</sup>



14m<sup>2</sup>



91kg



62kg

