



3+



23



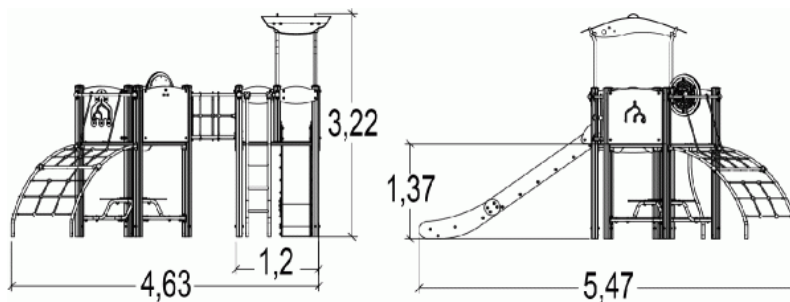
2,1m



1 = 5,47m  
2 = 4,44m  
3 = 3,22m



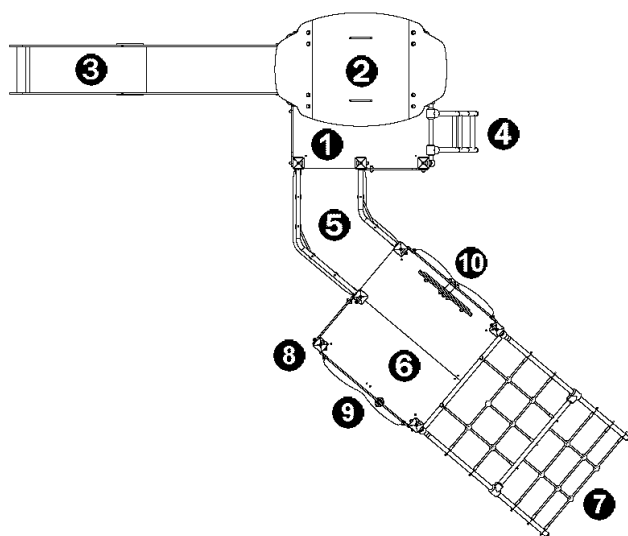
Physical inclusion  
Sensory inclusion  
Cognitive inclusion



**Play value :** **19**

role play	sliding	meeting	resting	handling	taking shelter	thinking	tactile stimulation
x1	x1	x3	x2	x3	x1	x2	x3
climbing	getting across						
x2	x1						

## Components

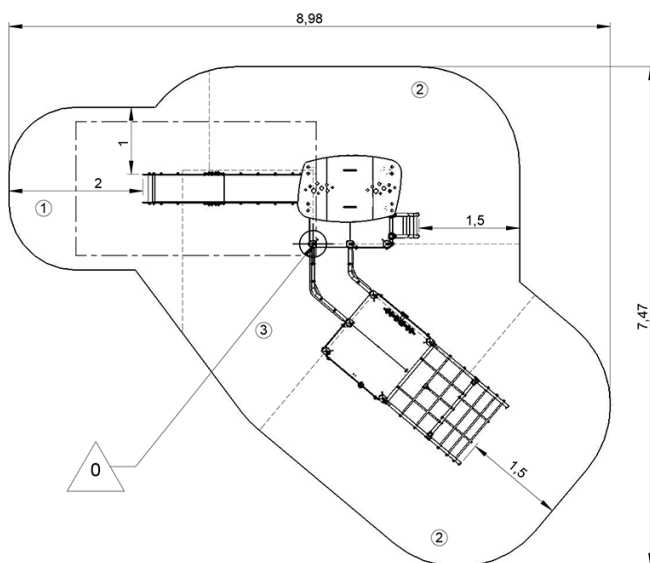


- ❶ Square platform
- ❷ Roof
- ❸ Slide H: 1.37m
- ❹ Curved ladder
- ❺ Curved bridge
- ❻ Incline net H: 1.37m
- ❼ Play table
- ❽ The Pachinko Play Panel
- ❾ 'Maze' board
- ❿

## Installation of equipment

**IMPORTANT:** It is essential to refer to the installation instructions for information on the size of the safety areas.

-  Impact area (minimum normative surface)
-  Free space



1	1m	7,5m <sup>2</sup>
2	1,37m	25m <sup>2</sup>
3	2,1m	10m <sup>2</sup>



2



18h00



0.4m<sup>3</sup>



42.5m<sup>2</sup>



547kg



29kg

